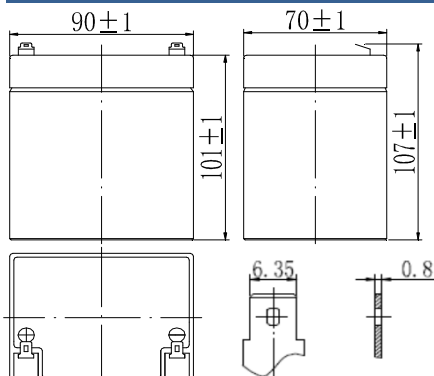


RPower OGiV1252LP (12V 5.2Ah AGM Battery)

Floating Life at 20°C designed for 10-12 years

EAN: 4260349823524

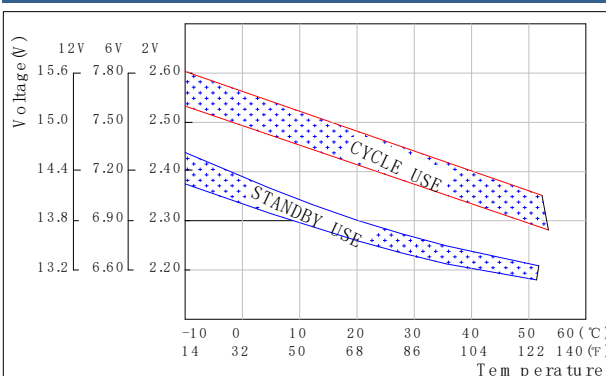
Dimensions



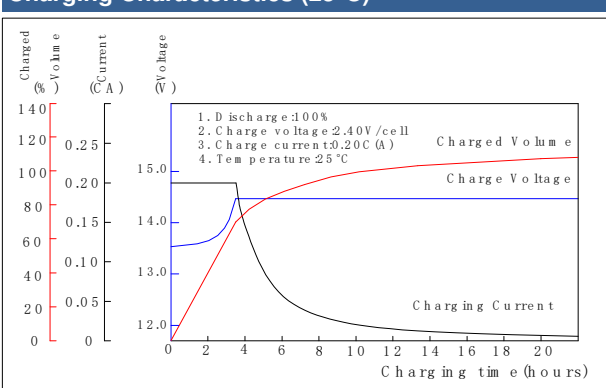
Specifications

Nominal Voltage		12V
Capacity (20hr@25°C@1.80V/C)		5.2Ah
Dimensions	Length	90mm (3.54inch)
	Width	70mm (2.76inch)
	Height	101mm (3.98inch)
	Total Height	107mm (4.21inch)
Approx. Weight		1.95kg (4.30lbs)
Maximum charging current		1.56A
Maximum discharge current		75A (5sec.)
Internal resistance		Approx. 26mΩ
Capacity affected by temperature (20hr)	40°C	103%
	25°C	100%
	0°C	86%
	-15°C	65%
Self-discharge (25°C)	3 month	Remaining Capacity: 91%
	6 month	Remaining Capacity: 82%
	12 month	Remaining Capacity: 65%
Nominal operating temperature		25°C ±3°C (77°F±5°F)
Operating temperature range		-20°C~55°C (-4°F~131°F)
Float charging voltage (25°C)		13.65 to 13.80V
Cyclic charging voltage (25°C)		14.40 to 15.00V
Terminal material		Copper

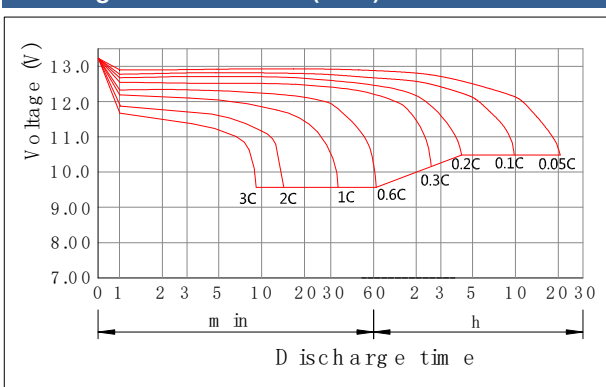
The Relationship for Charging Voltage and Temperature



Charging Characteristics (25°C)



Discharge Characteristics (25°C)



Constant Current Discharge Characteristics (Ampere / Battery, 25°C)

FV / TIME	5min	10min	15min	20min	30min	45min	1h	2h	3h	4h	5h	6h	8h	10h	20h
10.98V	23,70	15,00	12,30	8,20	6,82	4,39	3,95	2,02	1,36	1,11	0,99	0,81	0,61	0,49	0,25
10.80V	24,10	15,30	12,50	8,60	6,88	4,52	3,99	2,08	1,40	1,14	1,00	0,82	0,62	0,50	0,26
10.50V	24,70	15,60	12,70	9,00	6,92	4,65	4,03	2,14	1,44	1,17	1,01	0,83	0,63	0,51	0,26
10.20V	25,00	15,90	12,80	9,40	7,06	4,79	4,07	2,19	1,48	1,20	1,02	0,85	0,64	0,52	0,27
9.90V	25,30	16,00	12,90	9,80	7,20	4,92	4,11	2,25	1,51	1,22	1,03	0,86	0,64	0,52	0,27
9.60V	25,50	16,10	13,10	10,20	7,51	5,05	4,14	2,30	1,55	1,25	1,03	0,87	0,65	0,52	0,27

Constant Power Discharge Characteristics (Watt / Battery, 25°C)

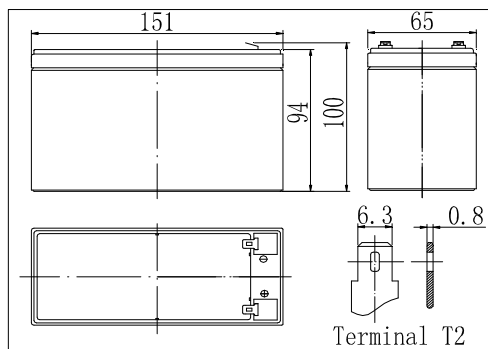
FV / TIME	5min	10min	15min	20min	30min	45min	1h	2h	3h	4h	5h	6h	8h	10h	20h
10.98V	280,80	180,00	144,00	93,00	82,80	57,60	47,40	23,28	18,60	13,44	11,70	9,48	7,08	5,88	2,88
10.80V	285,60	183,60	146,40	97,80	84,00	59,40	48,00	24,00	19,20	13,80	11,82	9,60	7,20	6,00	3,00
10.50V	290,40	192,00	148,20	101,40	84,00	60,00	48,30	24,60	19,44	13,80	11,88	10,20	7,20	6,00	3,00
10.20V	294,60	193,20	149,40	105,00	84,60	60,60	48,60	25,20	19,56	14,40	11,94	10,20	7,80	6,00	3,06
9.90V	298,80	195,60	150,60	108,00	85,20	61,20	48,84	25,80	19,62	14,40	11,94	10,20	7,80	6,00	3,12
9.60V	301,80	197,40	151,80	111,60	85,80	61,20	49,20	26,40	19,68	15,00	12,00	10,20	7,80	6,60	3,60

RPower OGiV1270LP (12V 7Ah AGM Battery)

Floating Life at 20°C designed for 10-12 years

EAN: 4260349823531

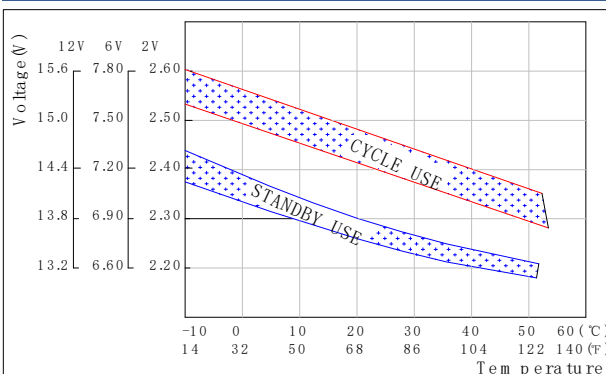
Dimensions



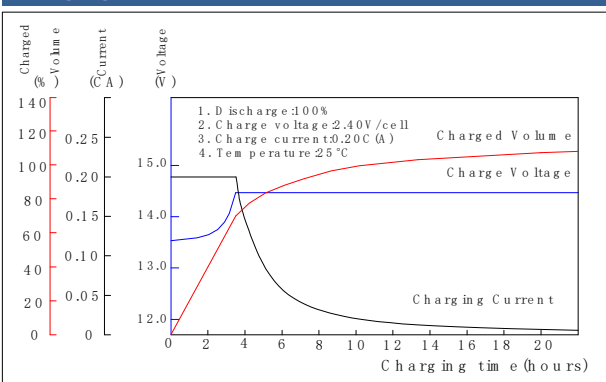
Specifications

Nominal Voltage		12V
Capacity (20hr@25°C@1.75V/C)		7Ah
Dimensions	Length	151mm (5.94inch)
	Width	65mm (2.56inch)
	Height	94mm (3.70inch)
	Total Height	100mm (3.94inch)
Approx. Weight		2.37kg (5.22lbs)
Maximum charging current		2.10A
Maximum discharge current		140A (5sec.)
Internal resistance		Approx. 22mΩ
Capacity affected by temperature (20hr)	40°C	103%
	25°C	100%
	0°C	86%
	-15°C	65%
Self-discharge (25°C)	3 month	Remaining Capacity: 91%
	6 month	Remaining Capacity: 82%
	12 month	Remaining Capacity: 65%
Nominal operating temperature		25°C ±3°C (77°F±5°F)
Operating temperature range		-20°C~55°C (-4°F~131°F)
Float charging voltage (25°C)		13.65 to 13.80V
Cyclic charging voltage (25°C)		14.40 to 15.00V
Terminal material		Copper

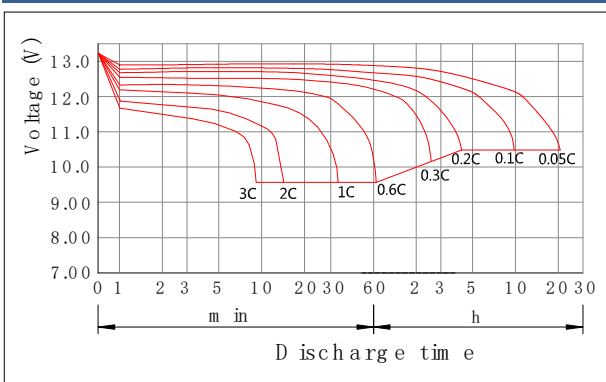
The Relationship for Charging Voltage and Temperature



Charging Characteristics (25°C)



Discharge Characteristics (25°C)



Constant Current Discharge Characteristics (Ampere / Battery, 25°C)

FV / TIME	5min	10min	15min	20min	30min	45min	1h	2h	3h	4h	5h	6h	8h	10h	20h
10.98V	21,90	16,80	12,50	9,30	8,13	4,76	4,07	2,15	1,53	1,24	1,06	0,92	0,76	0,65	0,34
10.80V	24,10	17,80	13,10	9,80	8,33	4,99	4,21	2,24	1,65	1,29	1,12	0,95	0,78	0,66	0,34
10.50V	26,30	18,80	13,70	10,30	8,53	5,22	4,35	2,33	1,77	1,34	1,18	0,98	0,80	0,68	0,35
10.20V	28,10	19,40	14,10	10,80	8,61	5,44	4,46	2,42	1,87	1,40	1,23	1,02	0,82	0,69	0,36
9.90V	29,80	19,70	14,50	11,20	8,68	5,67	4,57	2,51	1,93	1,45	1,28	1,05	0,84	0,71	0,36
9.60V	31,70	20,00	14,90	11,70	8,76	5,90	4,68	2,60	2,00	1,50	1,33	1,09	0,86	0,72	0,36

Constant Power Discharge Characteristics (Watt / Battery, 25°C)

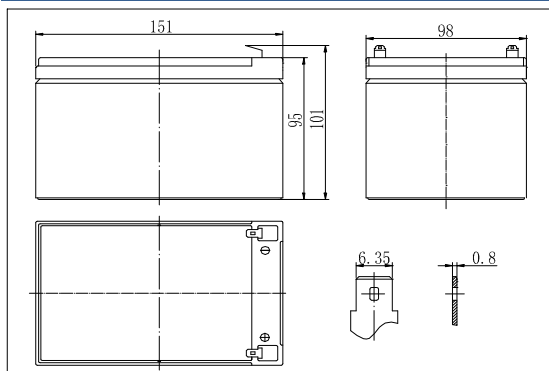
FV / TIME	5min	10min	15min	20min	30min	45min	1h	2h	3h	4h	5h	6h	8h	10h	20h
10.98V	247,80	196,80	144,00	103,80	91,80	63,00	48,00	26,16	18,30	14,82	12,42	10,92	8,88	7,44	4,02
10.80V	272,40	208,80	151,20	109,20	94,20	66,00	49,62	27,24	19,74	15,42	13,14	11,28	9,12	7,68	4,08
10.50V	296,40	219,00	155,40	114,00	96,00	67,80	51,30	28,68	21,18	15,84	13,80	11,52	9,30	7,80	4,08
10.20V	315,60	222,00	159,00	118,80	97,80	69,60	52,62	29,88	22,32	16,26	14,34	11,76	9,48	7,92	4,14
9.90V	333,60	225,60	163,20	123,60	99,60	70,20	53,88	30,78	23,04	16,68	14,82	12,00	9,66	8,04	4,20
9.60V	351,60	229,20	166,80	129,00	100,80	72,60	55,20	31,68	23,82	17,10	15,30	12,24	9,78	8,16	4,26

RPower OGiV12120LP (12V 12Ah AGM Battery)

Floating Life at 20°C designed for 10-12 years

EAN: 4260349823319

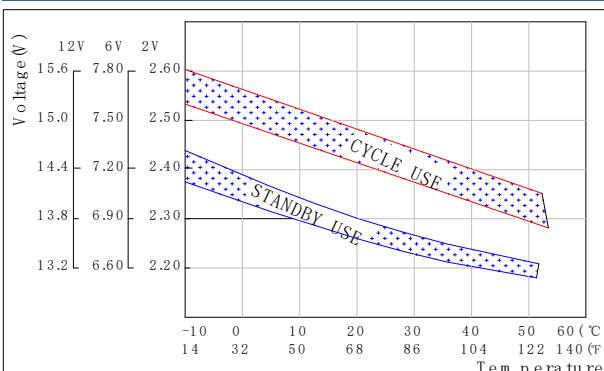
Dimensions



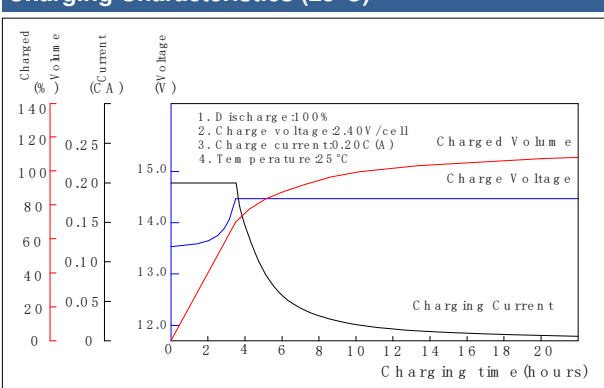
Specifications

Nominal Voltage		12V
Capacity (20hr@25°C@1.75V/C)		12Ah
Dimensions	Length	151mm (5.94inch)
	Width	98mm (3.86inch)
	Height	95mm (3.74inch)
	Total Height	101mm (3.98inch)
Approx. Weight		3.67kg (8.09lbs)
Maximum charging current		3.60A
Maximum discharge current		160A (5sec.)
Internal resistance		Approx. 17mΩ
Capacity affected by temperature (20hr)	40°C	103%
	25°C	100%
	0°C	86%
	-15°C	65%
Self-discharge (25°C)	3 month	Remaining Capacity: 91%
	6 month	Remaining Capacity: 82%
	12 month	Remaining Capacity: 65%
Nominal operating temperature		25°C ±3°C (77°F±5°F)
Operating temperature range		-20°C~55°C (-4°F~131°F)
Float charging voltage (25°C)		13.65 to 13.80V
Cyclic charging voltage (25°C)		14.40 to 15.00V
Terminal material		Copper

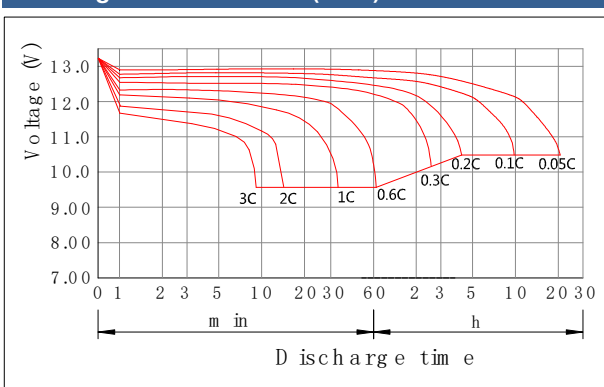
The Relationship for Charging Voltage and Temperature



Charging Characteristics (25°C)



Discharge Characteristics (25°C)



Constant Current Discharge Characteristics (Ampere / Battery, 25°C)

FV / TIME	5min	10min	15min	20min	30min	45min	1h	2h	3h	4h	5h	6h	8h	10h	20h
10.98V	39,38	27,35	21,92	16,78	12,32	8,73	7,52	3,94	2,97	2,21	1,96	1,61	1,31	1,09	0,57
10.80V	40,60	28,20	22,60	17,30	12,70	9,00	7,75	4,06	3,06	2,28	2,02	1,66	1,35	1,12	0,59
10.50V	42,10	29,00	23,20	17,70	13,00	9,10	7,86	4,10	3,09	2,35	2,05	1,69	1,37	1,14	0,60
10.20V	43,50	29,90	23,70	18,10	13,30	9,20	7,94	4,14	3,12	2,41	2,07	1,73	1,39	1,16	0,61
9.90V	45,00	30,80	24,30	18,50	13,50	9,30	8,04	4,19	3,15	2,48	2,10	1,78	1,41	1,17	0,61
9.60V	46,40	31,70	24,80	18,90	13,80	9,40	8,14	4,23	3,18	2,55	2,12	1,82	1,43	1,18	0,61

Constant Power Discharge Characteristics (Watt / Battery, 25°C)

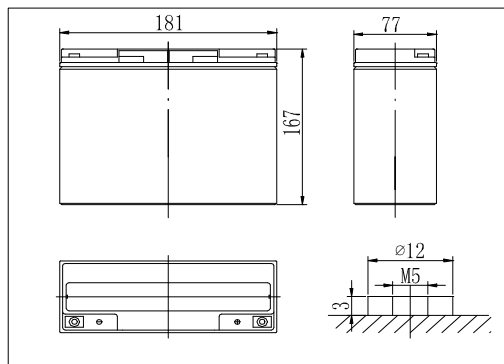
FV / TIME	5min	10min	15min	20min	30min	45min	1h	2h	3h	4h	5h	6h	8h	10h	20h
10.98V	451,63	317,77	255,50	195,55	147,83	114,07	90,21	47,49	36,32	26,25	23,75	19,15	15,48	12,84	6,75
10.80V	465,60	327,60	263,40	201,60	152,40	117,60	93,00	48,96	37,44	27,06	24,48	19,74	15,96	13,24	6,96
10.50V	478,80	333,60	267,60	205,80	154,80	118,80	94,20	49,50	37,86	27,90	24,66	20,10	16,20	13,47	7,08
10.20V	491,40	339,60	271,80	210,60	157,20	120,60	94,80	49,98	38,22	28,62	24,84	20,58	16,44	13,71	7,20
9.90V	504,60	346,20	276,00	215,40	159,60	122,40	96,00	50,52	38,64	29,46	25,02	21,12	16,68	13,83	7,20
9.60V	517,20	352,20	280,20	219,60	162,00	123,60	96,60	51,00	39,00	30,30	25,20	21,60	16,92	13,95	7,26

RPower OGiV12170LP (12V 17Ah AGM Battery)

Floating Life at 20°C designed for 10-12 years

EAN: 4260349823326

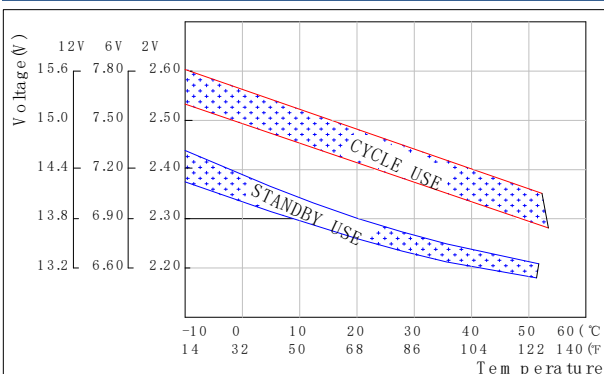
Dimensions



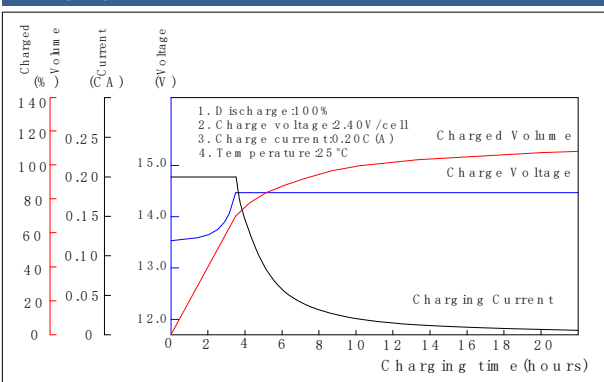
Specifications

Nominal Voltage		12V
Capacity (20hr@25°C@1.75V/C)		17Ah
Dimensions	Length	181mm (7.13inch)
	Width	77mm (3.03inch)
	Height	167mm (6.57inch)
	Total Height	167mm (6.57inch)
Approx. Weight		5.50kg (12.13lbs)
Maximum charging current		5.10A
Maximum discharge current		170A (5sec.)
Internal resistance		Approx. 16mΩ
Capacity affected by temperature (20hr)	40°C	103%
	25°C	100%
	0°C	86%
	-15°C	65%
Self-discharge (25°C)	3 month	Remaining Capacity: 91%
	6 month	Remaining Capacity: 82%
	12 month	Remaining Capacity: 65%
Nominal operating temperature		25°C ±3°C (77°F±5°F)
Operating temperature range		-20°C~55°C (-4°F~131°F)
Float charging voltage (25°C)		13.65 to 13.80V
Cyclic charging voltage (25°C)		14.40 to 15.00V
Terminal material		Copper

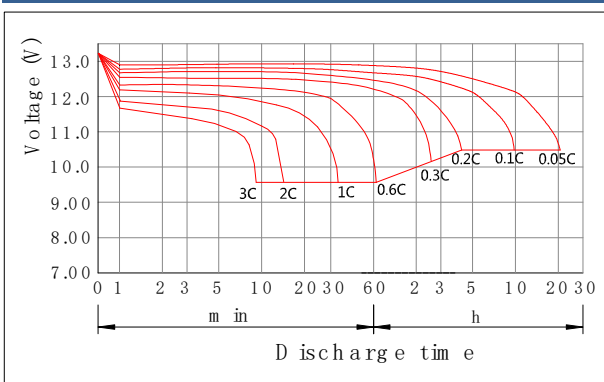
The Relationship for Charging Voltage and Temperature



Charging Characteristics (25°C)



Discharge Characteristics (25°C)



Constant Current Discharge Characteristics (Ampere / Battery, 25°C)

FV / TIME	5min	10min	15min	20min	30min	45min	1h	2h	3h	4h	5h	6h	8h	10h	20h
10.98V	55,68	39,58	31,43	24,25	17,65	12,90	10,86	5,47	4,15	3,27	2,84	2,42	1,93	1,60	0,81
10.80V	57,40	40,80	32,40	25,00	18,20	13,30	11,20	5,64	4,28	3,37	2,93	2,49	1,99	1,65	0,84
10.50V	60,10	41,90	33,30	25,70	18,70	13,50	11,40	5,78	4,36	3,47	3,01	2,55	2,02	1,68	0,85
10.20V	62,60	43,10	34,20	26,30	19,10	13,60	11,60	5,94	4,43	3,56	3,07	2,58	2,05	1,72	0,89
9.90V	64,90	44,20	35,10	27,00	19,60	13,80	11,80	6,15	4,51	3,65	3,13	2,63	2,07	1,75	0,90
9.60V	67,00	45,30	36,00	27,70	20,00	13,90	12,00	6,34	4,58	3,76	3,19	2,67	2,10	1,78	0,91

Constant Power Discharge Characteristics (Watt / Battery, 25°C)

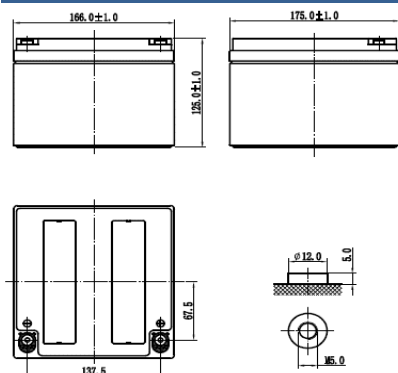
FV / TIME	5min	10min	15min	20min	30min	45min	1h	2h	3h	4h	5h	6h	8h	10h	20h
10.98V	663,48	453,38	364,91	279,36	210,10	162,96	130,95	72,75	50,87	38,64	34,45	28,58	22,81	18,92	9,60
10.80V	684,00	467,40	376,20	288,00	216,60	168,00	135,00	75,00	52,44	39,84	35,52	29,46	23,52	19,50	9,90
10.50V	708,00	475,80	383,40	295,80	220,20	170,40	136,20	76,20	52,98	41,04	35,64	30,12	23,88	19,86	10,02
10.20V	738,00	484,80	390,00	303,00	223,20	172,20	138,00	76,80	53,52	42,07	36,06	30,48	24,24	20,34	10,50
9.90V	762,00	493,20	397,20	310,80	226,80	174,60	139,20	78,00	54,06	43,15	36,54	31,08	24,48	20,70	10,62
9.60V	786,00	501,60	403,80	319,20	229,80	176,40	140,40	78,60	54,60	44,46	36,96	31,56	24,82	21,04	10,76

RPower OGiV12260LP (12V 26Ah AGM Battery)

Floating Life at 20°C designed for 10-12 years

EAN: 4260349823333

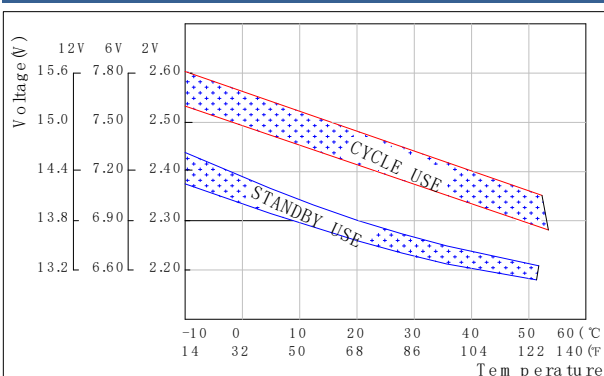
Dimensions



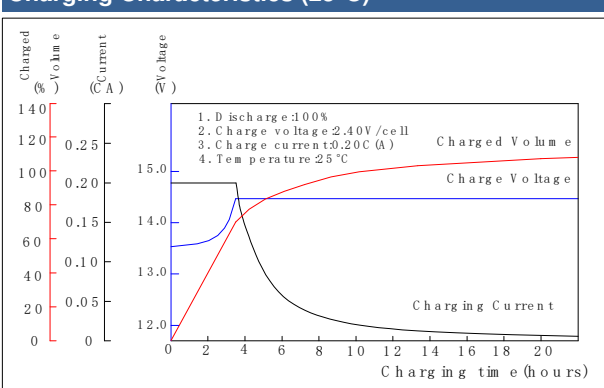
Specifications

Nominal Voltage		12V
Capacity (20hr@25°C@1.75V/C)		26Ah
Dimensions	Length	166mm (6.54inch)
	Width	175mm (6.89inch)
	Height	125mm (4.92inch)
	Total Height	125mm (4.92inch)
Approx. Weight		9.20kg (20.28lbs)
Maximum charging current		7.80A
Maximum discharge current		300A (5sec.)
Internal resistance		Approx. 10mΩ
Capacity affected by temperature (20hr)	40°C	103%
	25°C	100%
	0°C	86%
	-15°C	65%
Self-discharge (25°C)	3 month	Remaining Capacity: 91%
	6 month	Remaining Capacity: 82%
	12 month	Remaining Capacity: 65%
Nominal operating temperature		25°C ±3°C (77°F±5°F)
Operating temperature range		-20°C~55°C (-4°F~131°F)
Float charging voltage (25°C)		13.65 to 13.80V
Cyclic charging voltage (25°C)		14.40 to 15.00V
Terminal material		Copper

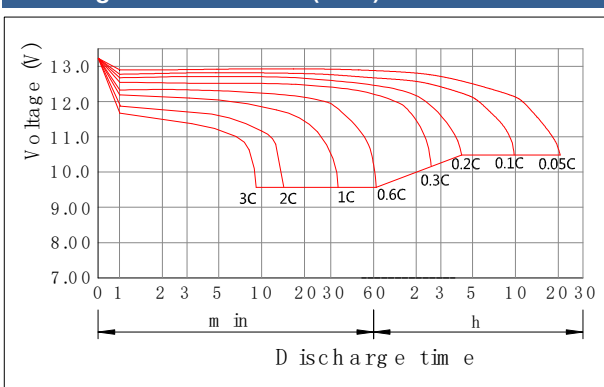
The Relationship for Charging Voltage and Temperature



Charging Characteristics (25°C)



Discharge Characteristics (25°C)



Constant Current Discharge Characteristics (Ampere / Battery, 25°C)

FV / TIME	5min	10min	15min	20min	30min	45min	1h	2h	3h	4h	5h	6h	8h	10h	20h
10.98V	90,50	64,02	44,52	35,31	26,97	20,08	15,04	10,67	6,89	5,43	4,56	3,84	2,98	2,43	1,24
10.80V	93,30	66,00	45,90	36,40	27,80	20,70	15,50	11,00	7,10	5,60	4,70	3,96	3,07	2,51	1,28
10.50V	99,69	70,10	48,60	38,50	29,40	21,40	16,30	11,55	7,40	5,85	4,90	4,12	3,19	2,58	1,30
10.20V	106,50	74,30	51,20	40,40	30,90	22,30	17,00	12,05	7,70	6,05	5,00	4,21	3,26	2,63	1,32
9.90V	112,70	78,40	53,80	42,40	32,30	22,80	17,80	12,60	8,00	6,30	5,20	4,37	3,38	2,69	1,33
9.60V	119,20	82,30	56,30	44,20	33,60	23,50	18,40	13,00	8,20	6,45	5,30	4,46	3,45	2,74	1,34

Constant Power Discharge Characteristics (Watt / Battery, 25°C)

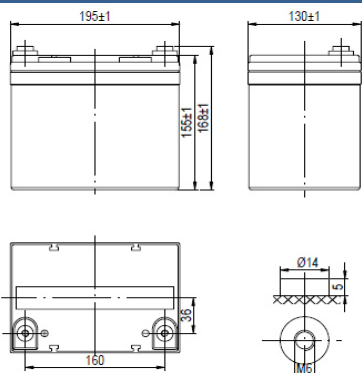
FV / TIME	5min	10min	15min	20min	30min	45min	1h	2h	3h	4h	5h	6h	8h	10h	20h
10.98V	936,44	623,32	472,58	389,94	293,33	222,91	174,60	125,71	80,90	64,19	49,06	45,40	35,21	28,98	14,67
10.80V	965,40	642,60	487,20	402,00	302,40	229,80	180,00	129,60	83,40	66,18	50,58	46,80	36,30	29,88	15,12
10.50V	1043,40	693,60	521,40	424,80	322,80	237,60	190,80	135,60	87,00	69,12	51,84	48,72	37,68	30,36	15,36
10.20V	1120,80	738,60	556,20	445,80	342,60	247,80	201,00	141,60	89,40	71,52	52,98	49,74	38,52	30,84	15,60
9.90V	1198,80	790,80	590,40	468,00	362,40	253,20	210,60	148,20	91,80	74,46	54,06	51,66	39,96	31,32	15,72
9.60V	1282,80	835,80	624,00	487,80	381,00	261,00	219,60	153,00	94,20	76,26	55,02	52,74	40,80	31,80	15,84

RPower OGiV12330LP (12V 33Ah AGM Battery)

Floating Life at 20°C designed for 10-12 years

EAN: 4260349823340

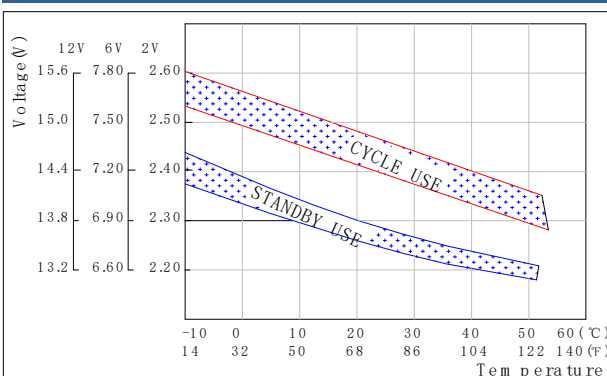
Dimensions



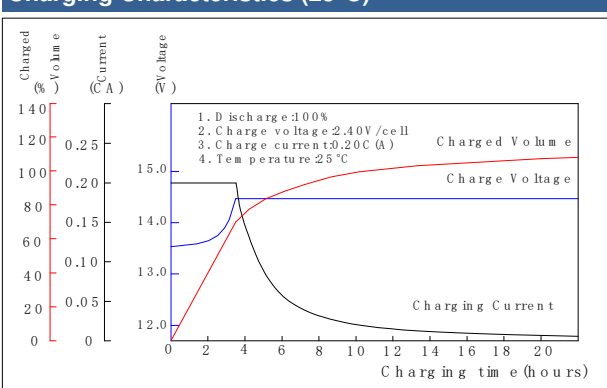
Specifications

Nominal Voltage		12V
Capacity (10hr@25°C@1.80V/C)		33Ah
Dimensions	Length	195mm (7.68inch)
	Width	130mm (5.12inch)
	Height	155mm (6.10inch)
	Total Height	168mm (6.61inch)
Approx. Weight		9.70kg (21.38lbs)
Maximum charging current		9.90A
Maximum discharge current		330A (5sec.)
Internal resistance		Approx. 12mΩ
Capacity affected by temperature (20hr)	40°C	103%
	25°C	100%
	0°C	86%
	-15°C	65%
Self-discharge (25°C)	3 month	Remaining Capacity: 91%
	6 month	Remaining Capacity: 82%
	12 month	Remaining Capacity: 65%
Nominal operating temperature		25°C ±3°C (77°F±5°F)
Operating temperature range		-20°C~55°C (-4°F~131°F)
Float charging voltage (25°C)		13.65 to 13.80V
Cyclic charging voltage (25°C)		14.40 to 15.00V
Terminal material		Copper

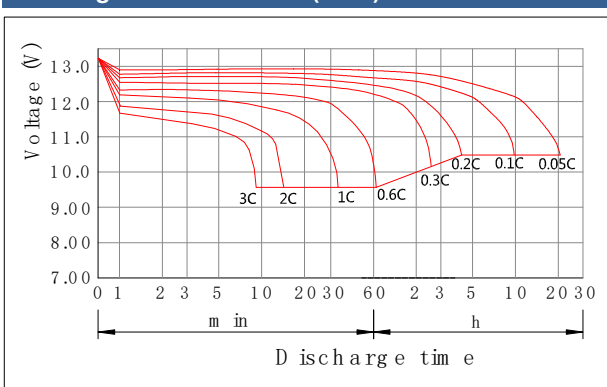
The Relationship for Charging Voltage and Temperature



Charging Characteristics (25°C)



Discharge Characteristics (25°C)



Constant Current Discharge Characteristics (Ampere / Battery, 25°C)

FV / TIME	5min	10min	15min	20min	30min	45min	1h	2h	3h	4h	5h	6h	8h	10h	20h
10.98V	56,55	49,86	43,46	38,02	27,94	23,67	19,21	10,48	7,93	6,25	5,34	4,61	3,57	3,20	1,63
10.80V	58,30	51,40	44,80	39,20	28,80	24,40	19,80	10,80	8,18	6,44	5,50	4,75	3,68	3,30	1,68
10.50V	64,40	56,10	47,80	40,50	29,80	25,10	20,30	11,20	8,25	6,52	5,58	4,83	3,78	3,31	1,69
10.20V	66,10	60,00	51,40	43,80	30,40	26,30	21,20	11,60	8,45	6,90	6,15	5,15	3,95	3,32	1,71
9.90V	75,60	65,00	54,10	44,20	31,30	27,30	21,90	11,80	8,97	7,21	6,25	5,22	4,00	3,35	1,72
9.60V	82,50	69,30	57,40	46,50	32,60	27,70	22,30	11,90	9,08	7,29	6,30	5,30	4,02	3,36	1,74

Constant Power Discharge Characteristics (Watt / Battery, 25°C)

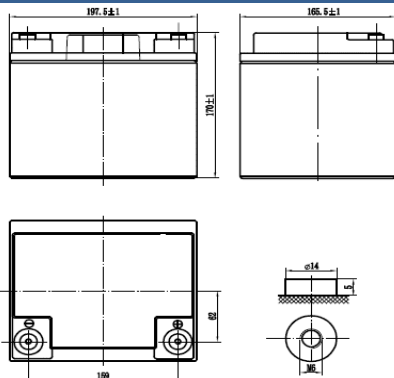
FV / TIME	5min	10min	15min	20min	30min	45min	1h	2h	3h	4h	5h	6h	8h	10h	20h
10.98V	568,61	540,68	517,98	442,32	325,92	241,53	222,91	122,22	88,46	73,33	64,02	53,37	42,20	38,59	20,49
10.80V	586,20	557,40	534,00	456,00	336,00	249,00	229,80	126,00	91,20	75,60	66,00	55,02	43,50	39,78	21,12
10.50V	700,80	624,00	552,00	471,60	348,00	255,00	234,60	130,80	96,00	76,20	67,80	55,92	44,70	39,90	21,24
10.20V	748,20	660,00	574,20	510,00	360,00	261,00	239,40	135,60	100,80	81,00	69,00	59,64	46,68	40,02	21,48
9.90V	802,80	696,00	591,60	514,20	370,20	265,20	243,00	138,60	103,80	84,60	71,40	60,42	47,28	40,38	21,60
9.60V	870,00	732,00	600,00	541,20	391,80	273,00	245,40	139,80	104,40	85,20	73,20	61,38	47,52	40,50	21,84

RPower OGiV12400LP (12V 40Ah AGM Battery)

Floating Life at 20°C designed for 10-12 years

EAN: 4260349823357

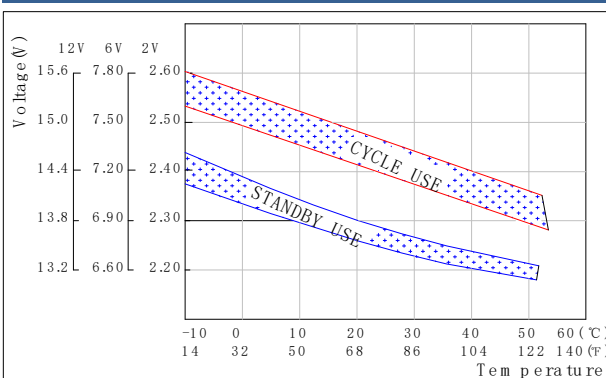
Dimensions



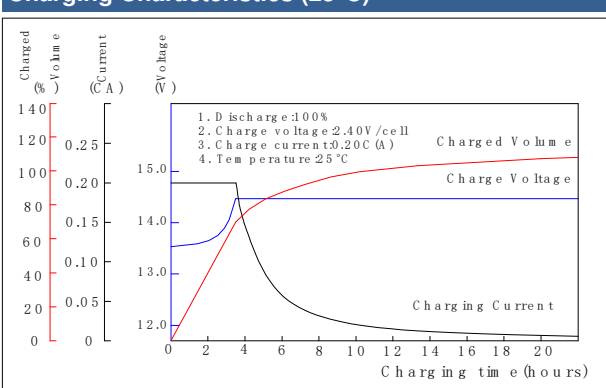
Specifications

Nominal Voltage		12V
Capacity (10hr@25°C@1.75V/C)		40Ah
Dimensions	Length	197mm (7.76inch)
	Width	165mm (6.50inch)
	Height	170mm (6.69inch)
	Total Height	170mm (6.69inch)
Approx. Weight		13.80kg (30.42lbs)
Maximum charging current		12.0A
Maximum discharge current		400A (5sec.)
Internal resistance		Approx. 9.7mΩ
Capacity affected by temperature (20hr)	40°C	103%
	25°C	100%
	0°C	86%
	-15°C	65%
Self-discharge (25°C)	3 month	Remaining Capacity: 91%
	6 month	Remaining Capacity: 82%
	12 month	Remaining Capacity: 65%
Nominal operating temperature		25°C ±3°C (77°F±5°F)
Operating temperature range		-20°C~55°C (-4°F~131°F)
Float charging voltage (25°C)		13.65 to 13.80V
Cyclic charging voltage (25°C)		14.40 to 15.00V
Terminal material		Copper

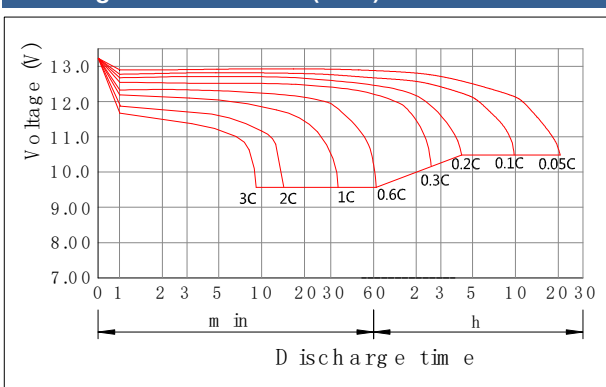
The Relationship for Charging Voltage and Temperature



Charging Characteristics (25°C)



Discharge Characteristics (25°C)



Constant Current Discharge Characteristics (Ampere / Battery, 25°C)

FV / TIME	5min	10min	15min	20min	30min	45min	1h	2h	3h	4h	5h	6h	8h	10h	20h
10.98V	90,11	67,80	53,54	42,20	34,73	25,32	22,80	12,61	9,15	7,61	6,46	5,33	4,04	3,82	2,05
10.80V	92,90	69,90	55,20	43,50	35,80	26,10	23,50	13,00	9,43	7,85	6,66	5,49	4,16	3,94	2,11
10.50V	101,00	73,60	61,00	51,40	36,10	26,40	23,90	13,30	9,65	8,04	6,83	5,64	4,27	4,00	2,15
10.20V	109,00	77,80	64,50	54,20	37,30	26,70	24,20	13,60	9,89	8,23	6,97	5,73	4,31	4,05	2,18
9.90V	119,00	82,20	67,10	55,00	38,70	28,00	24,60	13,90	10,10	8,40	7,10	5,82	4,35	4,10	2,20
9.60V	127,00	86,50	70,70	57,90	39,90	28,30	24,90	14,20	10,30	8,56	7,22	5,90	4,39	4,15	2,22

Constant Power Discharge Characteristics (Watt / Battery, 25°C)

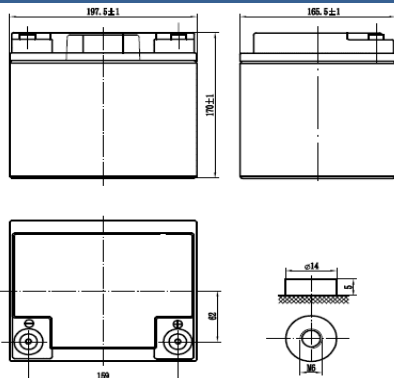
FV / TIME	5min	10min	15min	20min	30min	45min	1h	2h	3h	4h	5h	6h	8h	10h	20h
10.98V	995,22	756,60	634,38	491,21	414,97	322,43	271,79	155,98	114,07	88,46	77,41	62,27	46,97	44,46	23,80
10.80V	1026,00	780,00	654,00	506,40	427,80	332,40	280,20	160,80	117,60	91,20	79,80	64,20	48,42	45,84	24,54
10.50V	1092,00	828,00	678,00	598,20	442,80	339,60	285,00	164,40	120,00	93,60	80,40	65,40	49,68	46,56	25,02
10.20V	1188,00	864,00	702,00	630,60	457,80	346,80	289,80	168,00	121,80	96,00	81,60	66,60	50,16	47,16	25,38
9.90V	1284,00	912,00	720,00	640,20	472,80	354,00	295,20	171,60	124,20	97,80	82,80	67,80	50,64	47,70	25,62
9.60V	1380,00	948,00	744,00	673,80	487,20	361,20	299,40	175,80	126,00	99,60	84,00	68,40	51,12	48,30	25,86

RPower OGiV12450LP (12V 45Ah AGM Battery)

Floating Life at 20°C designed for 10-12 years

EAN: 4260349823364

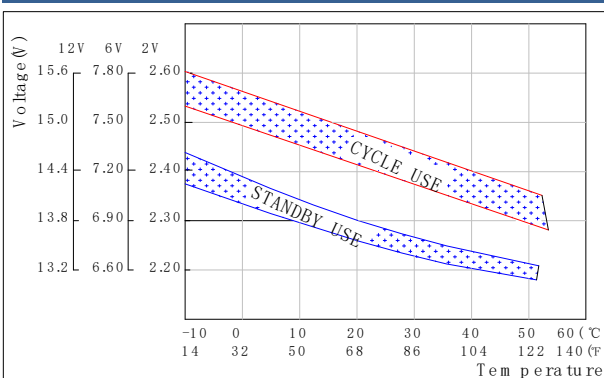
Dimensions



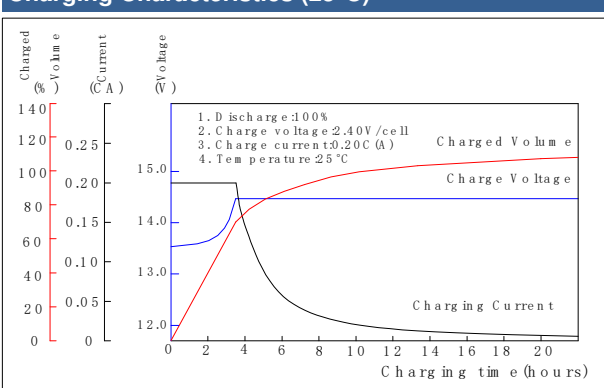
Specifications

Nominal Voltage		12V
Capacity (10hr@25°C@1.80V/C)		45Ah
Dimensions	Length	197mm (7.76inch)
	Width	165mm (6.50inch)
	Height	170mm (6.69inch)
	Total Height	170mm (6.69inch)
Approx. Weight		14.60kg (32.19lbs)
Maximum charging current		13.5A
Maximum discharge current		450A (5sec.)
Internal resistance		Approx. 7.5mΩ
Capacity affected by temperature (20hr)	40°C	103%
	25°C	100%
	0°C	86%
	-15°C	65%
Self-discharge (25°C)	3 month	Remaining Capacity: 91%
	6 month	Remaining Capacity: 82%
	12 month	Remaining Capacity: 65%
Nominal operating temperature		25°C ±3°C (77°F±5°F)
Operating temperature range		-20°C~55°C (-4°F~131°F)
Float charging voltage (25°C)		13.65 to 13.80V
Cyclic charging voltage (25°C)		14.40 to 15.00V
Terminal material		Copper

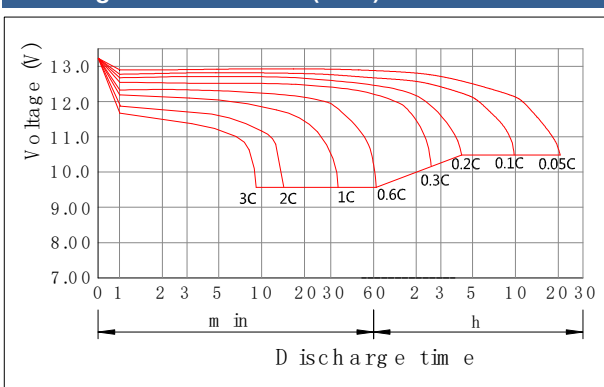
The Relationship for Charging Voltage and Temperature



Charging Characteristics (25°C)



Discharge Characteristics (25°C)



Constant Current Discharge Characteristics (Ampere / Battery, 25°C)

FV / TIME	5min	10min	15min	20min	30min	45min	1h	2h	3h	4h	5h	6h	8h	10h	20h
10.98V	110,58	77,60	64,02	50,93	37,83	29,59	25,71	14,36	10,57	8,40	7,08	6,08	4,84	4,37	2,29
10.80V	114,00	80,00	66,00	52,50	39,00	30,50	26,50	14,80	10,90	8,66	7,30	6,27	4,99	4,50	2,36
10.50V	118,00	85,00	69,00	54,50	39,90	31,20	26,90	15,10	11,10	8,78	7,38	6,34	5,04	4,51	2,37
10.20V	134,00	90,00	73,00	58,40	43,90	31,90	27,20	15,30	11,30	8,94	7,52	6,53	5,29	4,53	2,38
9.90V	136,00	95,00	74,30	59,90	45,50	34,40	27,60	15,60	11,60	9,14	7,66	6,63	5,34	4,54	2,38
9.60V	149,00	100,00	77,80	61,80	45,70	35,00	28,00	15,90	11,80	9,30	7,80	6,73	5,39	4,58	2,40

Constant Power Discharge Characteristics (Watt / Battery, 25°C)

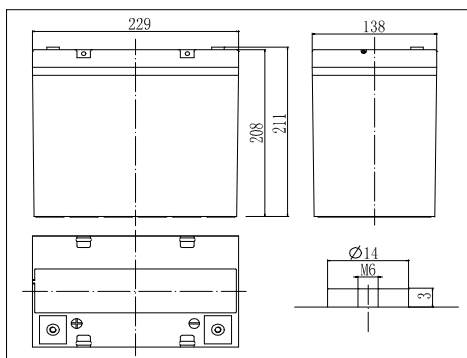
FV / TIME	5min	10min	15min	20min	30min	45min	1h	2h	3h	4h	5h	6h	8h	10h	20h
10.98V	1181,46	890,46	733,32	599,46	465,60	366,66	304,39	172,27	128,04	99,52	82,64	71,00	56,63	47,96	25,90
10.80V	1218,00	918,00	756,00	618,00	480,00	378,00	313,80	177,60	132,00	102,60	85,20	73,20	58,38	49,44	26,70
10.50V	1272,00	936,00	762,00	624,00	490,80	384,60	318,60	180,00	133,80	104,40	87,00	75,00	59,76	50,64	26,88
10.20V	1392,00	996,00	810,00	654,00	502,80	391,80	324,00	182,40	135,00	105,60	88,20	76,20	60,60	51,78	27,06
9.90V	1476,00	1044,00	840,00	678,00	521,40	405,60	328,80	184,80	136,80	106,80	88,80	76,80	61,80	52,86	27,30
9.60V	1578,00	1122,00	882,00	738,00	591,60	447,60	355,20	199,20	147,00	114,60	94,80	81,00	64,20	54,12	27,96

RPower OGiV12550LP (12V 55Ah AGM Battery)

Floating Life at 20°C designed for 10-12 years

EAN: 4260349823371

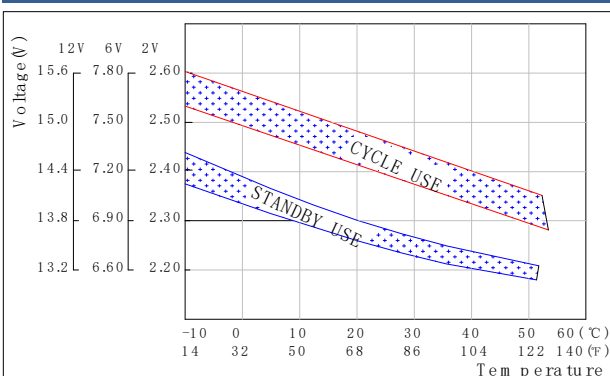
Dimensions



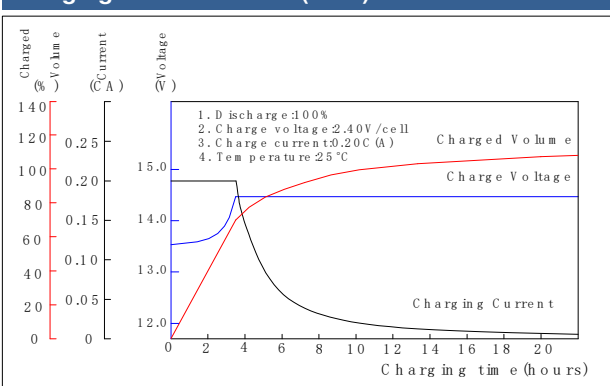
Specifications

Nominal Voltage		12V
Capacity (10hr@25°C@1.80V/C)		59Ah
Dimensions	Length	229mm (9.02inch)
	Width	138mm (5.43inch)
	Height	208mm (8.19inch)
	Total Height	213mm (8.39inch)
Approx. Weight		17.20kg (37.92lbs)
Maximum charging current		16.5A
Maximum discharge current		550A (5sec.)
Internal resistance		Approx. 5.8mΩ
Capacity affected by temperature (20hr)	40°C	103%
	25°C	100%
	0°C	86%
	-15°C	65%
Self-discharge (25°C)	3 month	Remaining Capacity: 91%
	6 month	Remaining Capacity: 82%
	12 month	Remaining Capacity: 65%
Nominal operating temperature		25°C ±3°C (77°F±5°F)
Operating temperature range		-20°C~55°C (-4°F~131°F)
Float charging voltage (25°C)		13.65 to 13.80V
Cyclic charging voltage (25°C)		14.40 to 15.00V
Terminal material		Copper

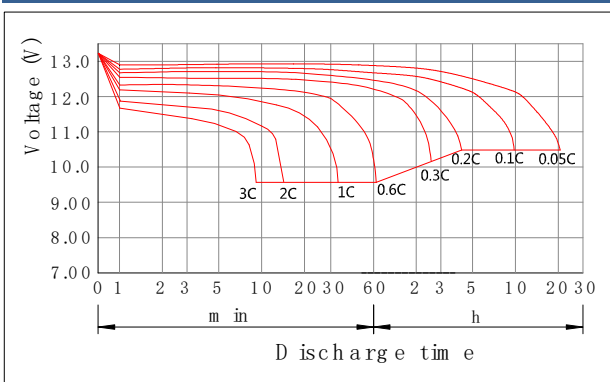
The Relationship for Charging Voltage and Temperature



Charging Characteristics (25°C)



Discharge Characteristics (25°C)



Constant Current Discharge Characteristics (Ampere / Battery, 25°C)

FV / TIME	5min	10min	15min	20min	30min	45min	1h	2h	3h	4h	5h	6h	8h	10h	20h
10.98V	144,23	111,91	89,85	73,93	58,40	43,66	35,54	19,86	14,58	11,51	9,62	8,28	6,71	5,75	2,96
10.80V	148,69	115,38	92,63	76,21	60,21	45,01	36,64	20,48	15,03	11,86	9,91	8,53	6,91	5,93	3,05
10.50V	155,19	120,25	95,88	78,65	61,83	46,15	37,46	20,88	15,36	12,03	10,08	8,69	7,04	6,02	3,10
10.20V	166,56	127,56	101,56	83,69	65,57	48,75	39,49	21,94	16,09	12,59	10,56	9,10	7,35	6,28	3,23
9.90V	177,94	135,69	107,25	88,56	69,31	51,35	41,52	22,99	16,90	13,16	10,97	9,51	7,65	6,54	3,37
9.60V	189,31	143,81	112,94	93,44	73,13	54,03	43,47	24,05	17,63	13,81	11,46	9,91	7,96	6,79	3,50

Constant Power Discharge Characteristics (Watt / Battery, 25°C)

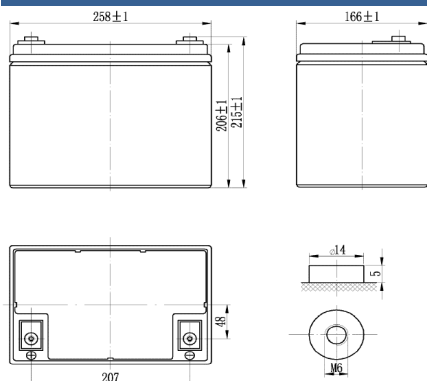
FV / TIME	5min	10min	15min	20min	30min	45min	1h	2h	3h	4h	5h	6h	8h	10h	20h
10.98V	1697,62	1286,22	1007,22	818,07	628,92	482,33	396,27	230,76	175,44	141,39	121,06	104,98	85,12	72,82	37,66
10.80V	1750,13	1326,00	1038,38	843,38	648,38	497,25	408,53	237,90	180,86	145,76	124,80	108,23	87,75	75,08	38,82
10.50V	1842,75	1384,50	1082,25	877,50	672,75	511,88	421,20	244,73	185,74	149,66	127,73	110,66	89,70	77,03	39,84
10.20V	1930,50	1443,00	1121,25	911,63	697,13	531,38	433,88	251,55	191,10	153,56	131,14	113,59	91,65	78,49	40,62
9.90V	2023,13	1501,50	1165,13	945,75	721,50	546,00	446,55	258,38	195,98	157,46	134,06	116,03	93,60	79,95	41,34
9.60V	2110,88	1560,00	1209,00	975,00	745,88	565,50	459,23	265,69	200,85	160,88	136,99	118,46	95,55	81,90	42,36

RPower OGiV12600LP (12V 60Ah AGM Battery)

Floating Life at 20°C designed for 10-12 years

EAN: 4260349823388

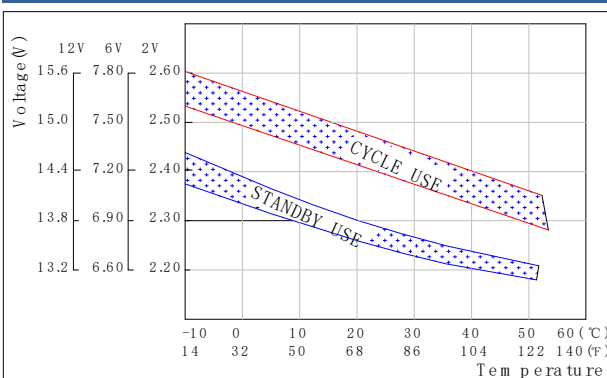
Dimensions



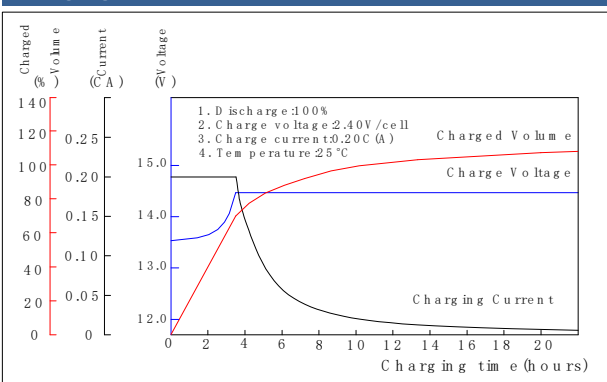
Specifications

Nominal Voltage		12V
Capacity (10hr@25°C@1.80V/C)		60Ah
Dimensions	Length	258mm (10.2inch)
	Width	166mm (6.54inch)
	Height	206mm (8.11inch)
	Total Height	215mm (8.46inch)
Approx. Weight		22.70kg (50.04lbs)
Maximum charging current		18.0A
Maximum discharge current		600A (5sec.)
Internal resistance		Approx. 5.7mΩ
Capacity affected by temperature (20hr)	40°C	103%
	25°C	100%
	0°C	86%
	-15°C	65%
Self-discharge (25°C)	3 month	Remaining Capacity: 91%
	6 month	Remaining Capacity: 82%
	12 month	Remaining Capacity: 65%
Nominal operating temperature		25°C ±3°C (77°F±5°F)
Operating temperature range		-20°C~55°C (-4°F~131°F)
Float charging voltage (25°C)		13.65 to 13.80V
Cyclic charging voltage (25°C)		14.40 to 15.00V
Terminal material		Copper

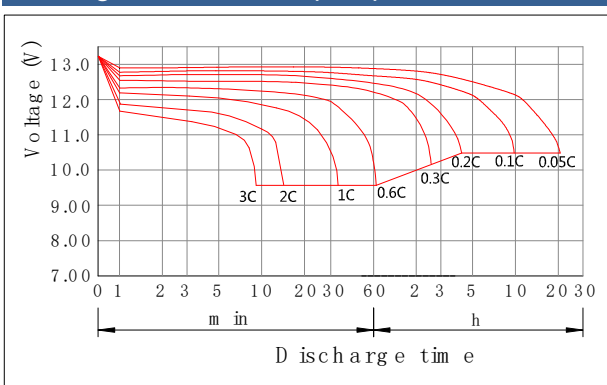
The Relationship for Charging Voltage and Temperature



Charging Characteristics (25°C)



Discharge Characteristics (25°C)



Constant Current Discharge Characteristics (Ampere / Battery, 25°C)

FV / TIME	5min	10min	15min	20min	30min	45min	1h	2h	3h	4h	5h	6h	8h	10h	20h
10.98V	135,80	99,91	83,42	64,99	54,13	43,46	35,41	20,56	14,26	11,64	9,99	8,44	6,60	5,82	3,01
10.80V	140,00	103,00	86,00	67,00	55,80	44,80	36,50	21,20	14,70	12,00	10,30	8,70	6,80	6,00	3,10
10.50V	150,00	113,00	92,90	70,00	57,90	46,00	37,30	21,80	15,00	12,30	10,50	8,90	6,95	6,05	3,12
10.20V	162,00	122,00	98,20	74,00	59,90	47,10	38,30	22,30	15,40	12,60	10,70	9,10	7,10	6,10	3,14
9.90V	172,00	132,00	103,00	78,00	61,80	48,00	39,30	22,80	15,80	12,90	10,90	9,30	7,25	6,15	3,16
9.60V	182,00	137,00	108,00	82,00	63,70	48,80	40,30	23,30	16,20	13,20	11,20	9,50	7,40	6,20	3,18

Constant Power Discharge Characteristics (Watt / Battery, 25°C)

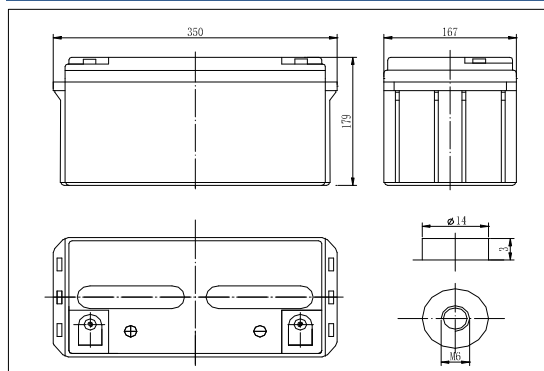
FV / TIME	5min	10min	15min	20min	30min	45min	1h	2h	3h	4h	5h	6h	8h	10h	20h
10.98V	1577,22	1140,72	977,76	715,86	616,92	487,72	399,83	242,69	175,76	140,26	122,80	101,85	77,58	69,84	36,26
10.80V	1626,00	1176,00	1008,00	738,00	636,00	502,80	412,20	250,20	181,20	144,60	126,60	105,00	79,98	72,00	37,38
10.50V	1686,00	1260,00	1062,00	744,00	648,00	516,00	423,60	257,40	185,40	148,20	127,80	107,40	81,72	72,60	37,62
10.20V	1806,00	1338,00	1080,00	822,00	660,00	528,00	433,20	263,40	189,60	151,80	129,00	109,80	83,52	73,20	37,86
9.90V	1920,00	1422,00	1098,00	864,00	672,00	538,80	443,40	269,40	193,80	155,40	131,40	112,20	85,26	73,80	38,10
9.60V	1998,00	1458,00	1122,00	912,00	678,00	547,80	454,20	275,40	198,00	159,00	132,60	114,60	87,00	74,40	38,34

RPower OGiV12650LP (12V 65Ah AGM Battery)

Floating Life at 20°C designed for 10-12 years

EAN: 4260349823395

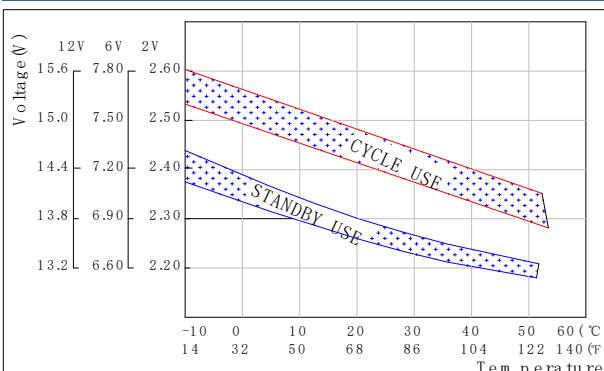
Dimensions



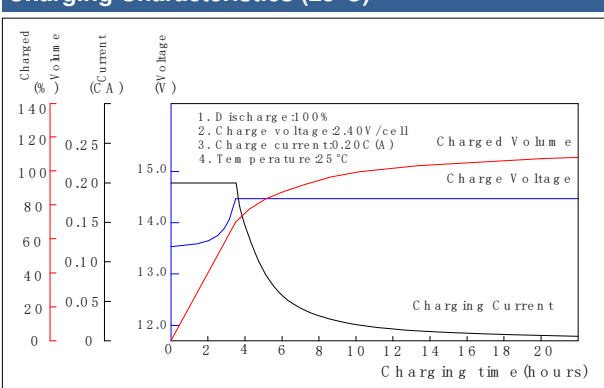
Specifications

Nominal Voltage		12V
Capacity (10hr@25°C@1.80V/C)		65Ah
Dimensions	Length	350mm (13.8inch)
	Width	167mm (6.57inch)
	Height	179mm (7.05inch)
	Total Height	179mm (7.05inch)
Approx. Weight		22.40kg (49.38lbs)
Maximum charging current		19.5A
Maximum discharge current		650A (5sec.)
Internal resistance		Approx. 6.0mΩ
Capacity affected by temperature (20hr)	40°C	103%
	25°C	100%
	0°C	86%
	-15°C	65%
Self-discharge (25°C)	3 month	Remaining Capacity: 91%
	6 month	Remaining Capacity: 82%
	12 month	Remaining Capacity: 65%
Nominal operating temperature		25°C ±3°C (77°F±5°F)
Operating temperature range		-20°C~55°C (-4°F~131°F)
Float charging voltage (25°C)		13.65 to 13.80V
Cyclic charging voltage (25°C)		14.40 to 15.00V
Terminal material		Copper

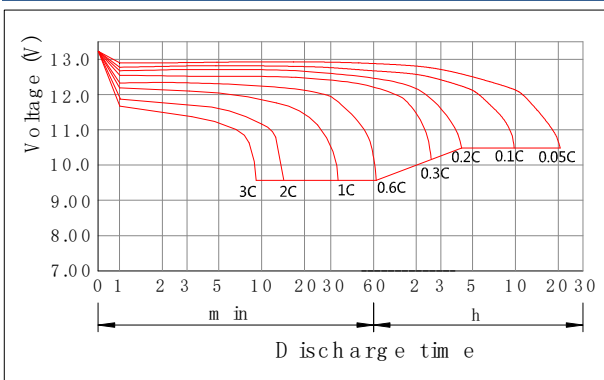
The Relationship for Charging Voltage and Temperature



Charging Characteristics (25°C)



Discharge Characteristics (25°C)



Constant Current Discharge Characteristics (Ampere / Battery, 25°C)

FV / TIME	5min	10min	15min	20min	30min	45min	1h	2h	3h	4h	5h	6h	8h	10h	20h
10.98V	154,23	112,52	93,61	74,21	58,10	44,14	37,83	21,53	14,94	11,83	10,28	8,70	7,13	6,31	3,26
10.80V	159,00	116,00	96,50	76,50	59,90	45,50	39,00	22,20	15,40	12,20	10,60	8,97	7,35	6,50	3,36
10.50V	172,00	127,00	104,00	83,20	62,20	46,70	39,90	22,80	15,70	12,50	10,80	9,14	7,48	6,52	3,40
10.20V	184,00	138,00	110,00	86,10	64,30	47,80	41,00	23,30	16,10	12,70	11,00	9,32	7,65	6,54	3,43
9.90V	196,00	149,00	116,00	88,30	66,30	48,80	42,00	23,80	16,50	12,90	11,20	9,50	7,80	6,56	3,46
9.60V	207,00	154,00	121,00	93,80	68,40	49,50	43,10	24,40	16,90	13,40	11,50	9,80	8,00	6,58	3,48

Constant Power Discharge Characteristics (Watt / Battery, 25°C)

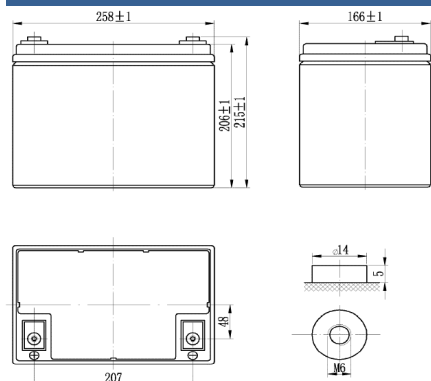
FV / TIME	5min	10min	15min	20min	30min	45min	1h	2h	3h	4h	5h	6h	8h	10h	20h
10.98V	1699,44	1233,84	1030,14	808,98	651,84	508,09	423,11	252,01	181,00	139,10	124,55	101,85	82,99	72,75	36,96
10.80V	1752,00	1272,00	1062,00	834,00	672,00	523,80	436,20	259,80	186,60	143,40	128,40	105,00	85,56	75,00	38,10
10.50V	1824,00	1374,00	1116,00	906,00	684,00	537,60	441,00	267,00	190,80	147,00	129,60	106,80	87,06	75,60	38,58
10.20V	1950,00	1458,00	1140,00	942,00	702,00	550,20	451,80	273,00	194,40	149,40	130,80	109,20	89,04	76,13	38,88
9.90V	2076,00	1548,00	1158,00	966,00	708,00	561,60	462,00	279,00	198,60	151,80	133,80	111,00	90,78	76,20	39,24
9.60V	2208,00	1632,00	1182,00	1026,00	714,00	570,60	472,80	285,00	202,80	157,80	135,00	114,60	93,12	76,80	39,48

RPower OGiV12750LP (12V 75Ah AGM Battery)

Floating Life at 20°C designed for 10-12 years

EAN: 4260349823401

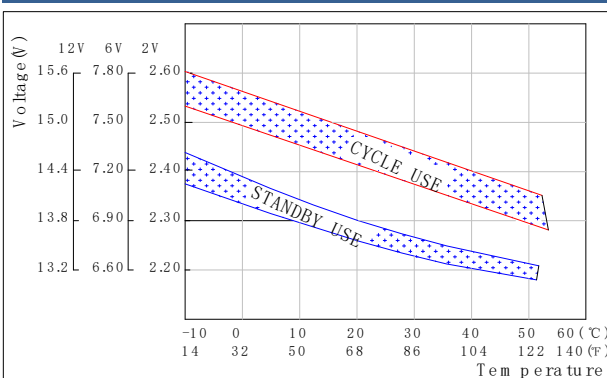
Dimensions



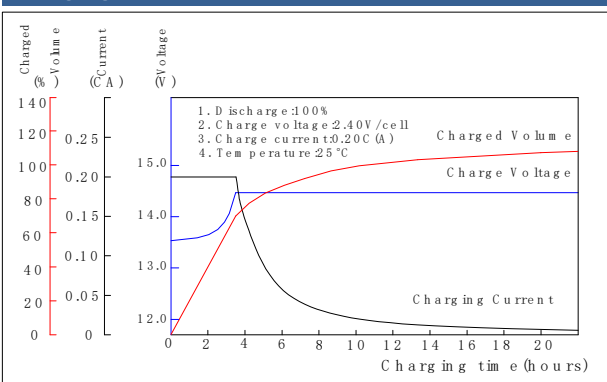
Specifications

Nominal Voltage		12V
Capacity (10hr@25°C@1.80V/C)		75Ah
Dimensions	Length	258mm (10.2inch)
	Width	166mm (6.54inch)
	Height	206mm (8.11inch)
	Total Height	215mm (8.46inch)
Approx. Weight		23.50kg (51.81lbs)
Maximum charging current		22.5A
Maximum discharge current		700A (5sec.)
Internal resistance		Approx. 5.7mΩ
Capacity affected by temperature (20hr)	40°C	103%
	25°C	100%
	0°C	86%
	-15°C	65%
Self-discharge (25°C)	3 month	Remaining Capacity: 91%
	6 month	Remaining Capacity: 82%
	12 month	Remaining Capacity: 65%
Nominal operating temperature		25°C ±3°C (77°F±5°F)
Operating temperature range		-20°C~55°C (-4°F~131°F)
Float charging voltage (25°C)		13.65 to 13.80V
Cyclic charging voltage (25°C)		14.40 to 15.00V
Terminal material		Copper

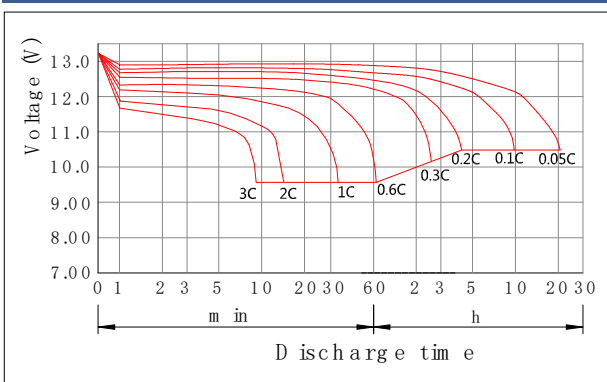
The Relationship for Charging Voltage and Temperature



Charging Characteristics (25°C)



Discharge Characteristics (25°C)



Constant Current Discharge Characteristics (Ampere / Battery, 25°C)

FV / TIME	5min	10min	15min	20min	30min	45min	1h	2h	3h	4h	5h	6h	8h	10h	20h
10.98V	174,60	134,83	108,64	89,82	70,91	51,70	42,10	24,93	19,21	15,23	12,90	11,06	8,68	7,28	3,93
10.80V	180,00	139,00	112,00	92,60	73,10	53,30	43,40	25,70	19,80	15,70	13,30	11,40	8,95	7,50	4,05
10.50V	195,00	151,00	117,00	96,10	73,60	53,70	45,30	26,80	20,60	16,20	13,50	11,50	9,04	7,55	4,08
10.20V	206,00	158,00	122,00	99,40	77,00	55,00	46,90	27,50	21,00	16,60	13,90	11,80	9,18	7,60	4,10
9.90V	222,00	169,00	131,00	104,00	78,30	56,40	47,50	27,90	21,40	16,80	14,10	12,00	9,26	7,65	4,13
9.60V	240,00	178,00	137,00	109,00	81,80	61,70	50,20	28,90	21,80	17,10	14,30	12,10	9,33	7,67	4,14

Constant Power Discharge Characteristics (Watt / Battery, 25°C)

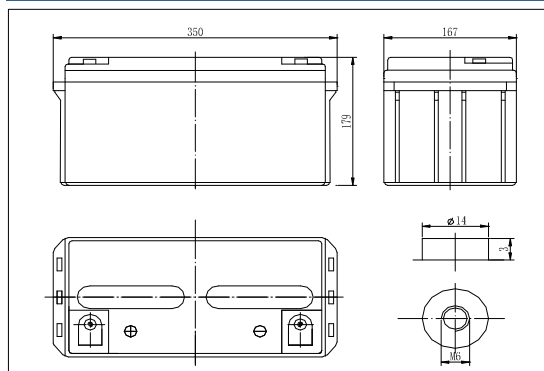
FV / TIME	5min	10min	15min	20min	30min	45min	1h	2h	3h	4h	5h	6h	8h	10h	20h
10.98V	1984,62	1519,02	1233,84	1024,32	820,62	616,92	490,04	288,67	221,16	176,93	126,88	126,88	97,78	80,32	43,36
10.80V	2046,00	1566,00	1272,00	1056,00	846,00	636,00	505,20	297,60	228,00	182,40	130,80	130,80	100,80	82,80	44,70
10.50V	2136,00	1644,00	1338,00	1098,00	852,00	666,00	519,00	301,80	229,80	183,60	132,60	132,60	103,20	85,20	45,06
10.20V	2250,00	1740,00	1422,00	1146,00	870,00	666,00	538,80	309,60	233,40	184,80	132,60	132,60	103,80	86,40	45,24
9.90V	2418,00	1800,00	1446,00	1182,00	918,00	708,00	561,60	316,80	235,20	187,80	159,60	135,60	106,20	88,20	45,60
9.60V	2478,00	1884,00	1476,00	1212,00	948,00	720,00	574,20	324,60	241,20	190,80	160,80	137,40	108,00	90,60	45,72

RPower OGiV12800LPL (12V 80Ah AGM Battery)

Floating Life at 20°C designed for 10-12 years

EAN: 4260349823418

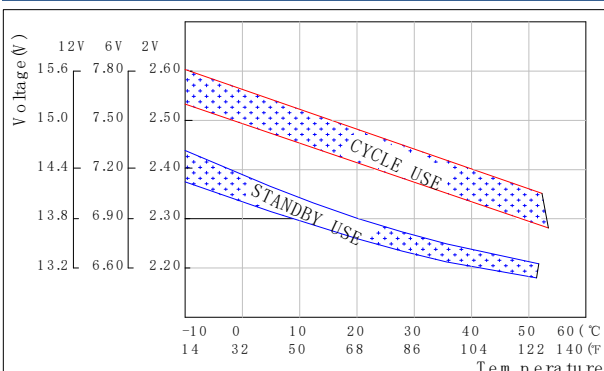
Dimensions



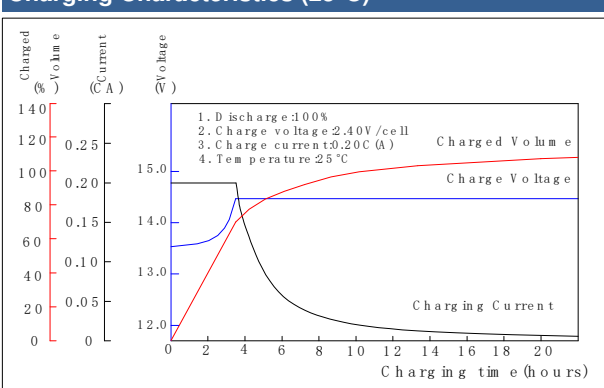
Specifications

Nominal Voltage		12V
Capacity (10hr@25°C@1.80V/C)		80Ah
Dimensions	Length	350mm (13.8inch)
	Width	167mm (6.57inch)
	Height	179mm (7.05inch)
	Total Height	179mm (7.05inch)
Approx. Weight		22.50kg (49.60lbs)
Maximum charging current		24.0A
Maximum discharge current		750A (5sec.)
Internal resistance		Approx. 5.5mΩ
Capacity affected by temperature (20hr)	40°C	103%
	25°C	100%
	0°C	86%
	-15°C	65%
Self-discharge (25°C)	3 month	Remaining Capacity: 91%
	6 month	Remaining Capacity: 82%
	12 month	Remaining Capacity: 65%
Nominal operating temperature		25°C ±3°C (77°F±5°F)
Operating temperature range		-20°C~55°C (-4°F~131°F)
Float charging voltage (25°C)		13.65 to 13.80V
Cyclic charging voltage (25°C)		14.40 to 15.00V
Terminal material		Copper

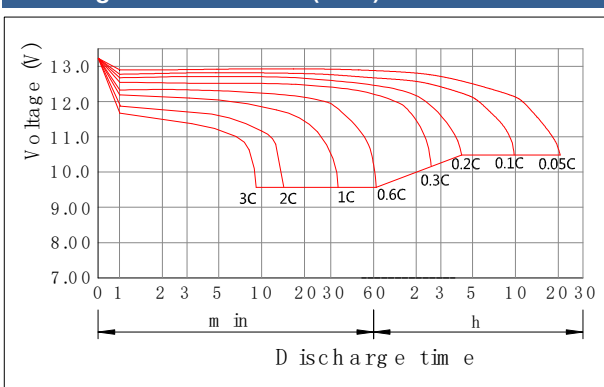
The Relationship for Charging Voltage and Temperature



Charging Characteristics (25°C)



Discharge Characteristics (25°C)



Constant Current Discharge Characteristics (Ampere / Battery, 25°C)

FV / TIME	5min	10min	15min	20min	30min	45min	1h	2h	3h	4h	5h	6h	8h	10h	20h
10.98V	184,30	144,53	114,46	93,61	72,75	54,22	44,91	26,29	20,08	16,10	13,68	11,74	9,23	7,76	4,07
10.80V	190,00	149,00	118,00	96,50	75,00	55,90	46,30	27,10	20,70	16,60	14,10	12,10	9,52	8,00	4,20
10.50V	204,00	159,00	126,00	102,00	77,60	57,30	47,10	28,10	21,80	17,20	14,40	12,30	9,63	8,05	4,23
10.20V	218,00	168,00	132,00	106,00	80,30	61,00	49,80	29,20	22,40	17,60	14,70	12,50	9,75	8,10	4,25
9.90V	233,00	178,00	137,00	110,00	83,00	62,20	51,60	29,80	22,50	17,70	14,70	12,50	9,79	8,15	4,28
9.60V	247,00	188,00	149,00	118,00	87,30	66,20	53,70	30,50	22,70	17,90	15,00	12,80	9,91	8,20	4,31

Constant Power Discharge Characteristics (Watt / Battery, 25°C)

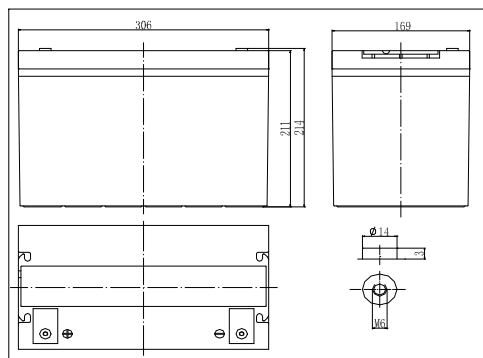
FV / TIME	5min	10min	15min	20min	30min	45min	1h	2h	3h	4h	5h	6h	8h	10h	20h
10.98V	2031,18	1600,50	1268,76	1059,24	849,72	646,02	515,07	299,15	226,98	181,00	153,65	130,95	103,01	86,14	45,98
10.80V	2094,00	1650,00	1308,00	1092,00	876,00	666,00	531,00	308,40	234,00	186,60	158,40	135,00	106,20	88,80	47,40
10.50V	2208,00	1722,00	1392,00	1146,00	894,00	684,00	553,80	318,00	239,40	190,20	160,80	137,40	108,00	90,60	47,70
10.20V	2340,00	1794,00	1476,00	1194,00	906,00	702,00	562,80	322,20	242,40	192,00	162,00	138,60	109,80	92,40	47,94
9.90V	2520,00	1860,00	1500,00	1224,00	942,00	732,00	586,80	331,80	246,60	195,00	164,40	141,00	111,60	94,20	48,60
9.60V	2598,00	1938,00	1548,00	1272,00	990,00	744,00	591,60	339,00	255,00	200,40	167,40	144,00	114,60	96,60	50,40

RPower OGiV12900LP (12V 90Ah AGM Battery)

Floating Life at 20°C designed for 10-12 years

EAN: 4260349823425

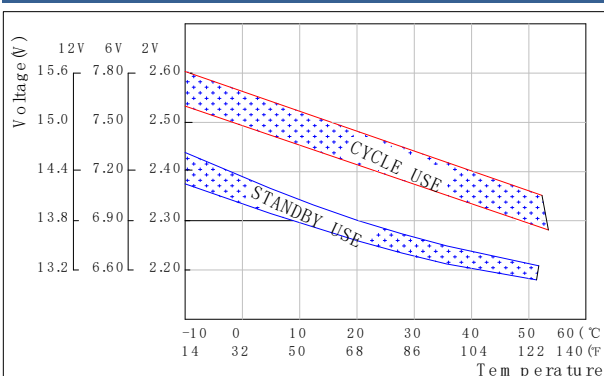
Dimensions



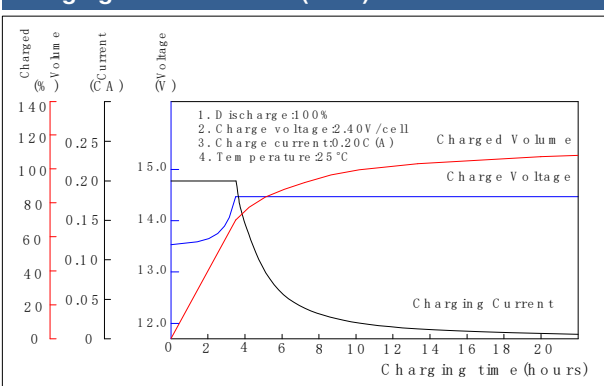
Specifications

Nominal Voltage		12V
Capacity (10hr@25°C@1.80V/C)		90Ah
Dimensions	Length	305mm (12.0inch)
	Width	168mm (6.61inch)
	Height	210mm (8.27inch)
	Total Height	215mm (8.46inch)
Approx. Weight		27.50kg (60.63lbs)
Maximum charging current		27.0A
Maximum discharge current		900A (5sec.)
Internal resistance		Approx. 5.7mΩ
Capacity affected by temperature (20hr)	40°C	103%
	25°C	100%
	0°C	86%
	-15°C	65%
Self-discharge (25°C)	3 month	Remaining Capacity: 91%
	6 month	Remaining Capacity: 82%
	12 month	Remaining Capacity: 65%
Nominal operating temperature		25°C ±3°C (77°F±5°F)
Operating temperature range		-20°C~55°C (-4°F~131°F)
Float charging voltage (25°C)		13.65 to 13.80V
Cyclic charging voltage (25°C)		14.40 to 15.00V
Terminal material		Copper

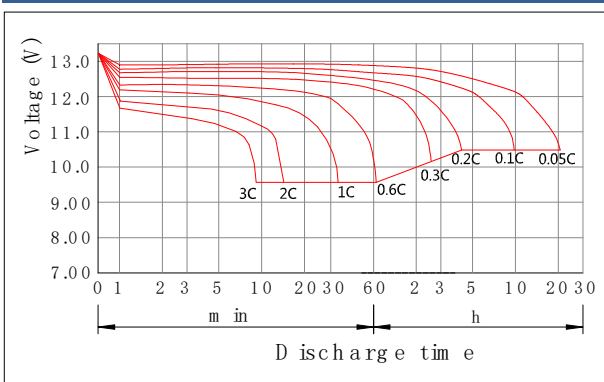
The Relationship for Charging Voltage and Temperature



Charging Characteristics (25°C)



Discharge Characteristics (25°C)



Constant Current Discharge Characteristics (Ampere / Battery, 25°C)

FV / TIME	5min	10min	15min	20min	30min	45min	1h	2h	3h	4h	5h	6h	8h	10h	20h
10.98V	--	150,35	122,22	95,06	77,60	58,20	47,05	29,20	21,15	16,88	14,55	12,61	10,19	8,73	4,53
10.80V	--	155,00	126,00	98,00	80,00	60,00	48,50	30,10	21,80	17,40	15,00	13,00	10,50	9,00	4,67
10.50V	--	170,00	136,00	104,00	83,20	62,00	50,00	31,00	22,50	18,10	15,40	13,30	10,70	9,05	4,72
10.20V	--	183,00	145,00	111,00	86,40	63,60	51,30	31,80	23,00	18,70	15,70	13,70	10,90	9,10	4,78
9.90V	--	195,00	154,00	119,00	89,30	65,10	52,50	32,40	23,50	19,30	16,00	13,90	11,00	9,15	4,82
9.60V	--	207,00	162,00	127,00	92,00	66,50	53,50	33,00	24,00	19,80	16,20	14,10	11,10	9,20	4,92

Constant Power Discharge Characteristics (Watt / Battery, 25°C)

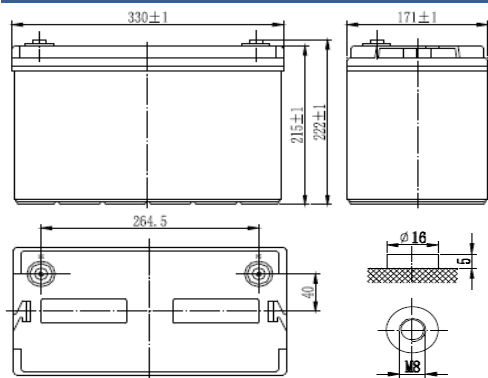
FV / TIME	5min	10min	15min	20min	30min	45min	1h	2h	3h	4h	5h	6h	8h	10h	20h
10.98V	--	1833,30	1501,56	1117,44	884,64	669,30	552,90	329,41	251,42	190,31	174,60	143,75	114,65	100,10	52,21
10.80V	--	1890,00	1548,00	1152,00	912,00	690,00	570,00	339,60	259,20	196,20	180,00	148,20	118,20	103,20	53,82
10.50V	--	2010,00	1626,00	1224,00	948,00	708,00	582,00	349,20	265,20	204,00	183,00	151,80	120,60	103,80	54,36
10.20V	--	2100,00	1686,00	1308,00	978,00	726,00	594,00	358,20	270,60	211,20	185,40	156,00	123,00	104,40	55,08
9.90V	--	2178,00	1734,00	1398,00	1008,00	738,00	606,00	366,00	276,00	217,80	187,20	158,40	124,20	105,00	55,50
9.60V	--	2250,00	1830,00	1494,00	1032,00	750,00	618,00	372,00	280,80	223,20	189,00	160,80	125,40	105,60	56,70

RPower OGiV121000LP (12V 100Ah AGM Battery)

Floating Life at 20°C designed for 10-12 years

EAN: 4260349823432

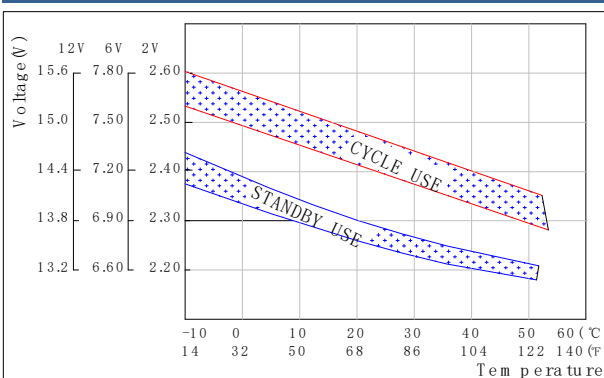
Dimensions



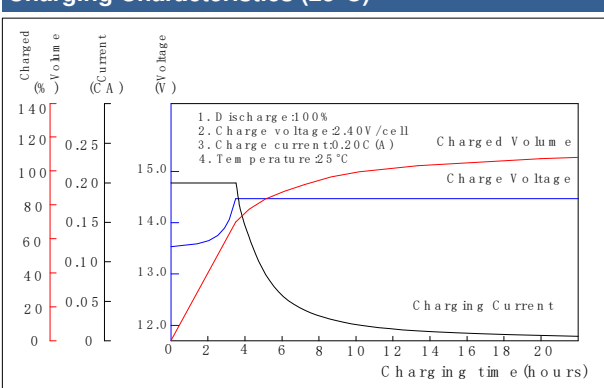
Specifications

Nominal Voltage		12V
Capacity (10hr@25°C@1.80V/C)		100Ah
Dimensions	Length	330mm (13.0inch)
	Width	171mm (6.73inch)
	Height	215mm (8.46inch)
	Total Height	222mm (8.74inch)
Approx. Weight		32.00kg (70.55lbs)
Maximum charging current		30.0A
Maximum discharge current		900A (5sec.)
Internal resistance		Approx. 4.5mΩ
Capacity affected by temperature (20hr)	40°C	103%
	25°C	100%
	0°C	86%
	-15°C	65%
Self-discharge (25°C)	3 month	Remaining Capacity: 91%
	6 month	Remaining Capacity: 82%
	12 month	Remaining Capacity: 65%
Nominal operating temperature		25°C ±3°C (77°F±5°F)
Operating temperature range		-20°C~55°C (-4°F~131°F)
Float charging voltage (25°C)		13.65 to 13.80V
Cyclic charging voltage (25°C)		14.40 to 15.00V
Terminal material		Copper

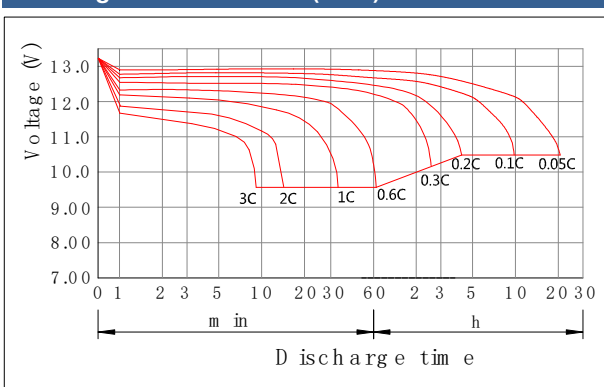
The Relationship for Charging Voltage and Temperature



Charging Characteristics (25°C)



Discharge Characteristics (25°C)



Constant Current Discharge Characteristics (Ampere / Battery, 25°C)

FV / TIME	5min	10min	15min	20min	30min	45min	1h	2h	3h	4h	5h	6h	8h	10h	20h
10.98V	--	167,81	145,50	126,10	91,67	67,90	58,88	32,30	23,38	19,59	16,68	14,36	11,45	9,70	5,14
10.80V	--	173,00	150,00	130,00	94,50	70,00	60,70	33,30	24,10	20,20	17,20	14,80	11,80	10,00	5,30
10.50V	--	188,00	161,00	135,00	96,50	71,30	61,60	35,30	24,80	21,00	17,60	15,10	12,10	10,10	5,35
10.20V	--	202,00	173,00	139,00	100,00	73,00	62,70	35,80	25,40	21,50	18,00	15,50	12,40	10,20	5,40
9.90V	--	218,00	182,00	143,00	104,00	78,70	63,70	36,40	25,90	21,80	18,30	15,70	12,50	10,30	5,43
9.60V	--	233,00	192,00	148,00	107,00	80,50	64,80	37,50	26,50	22,40	18,60	16,30	12,90	10,40	5,46

Constant Power Discharge Characteristics (Watt / Battery, 25°C)

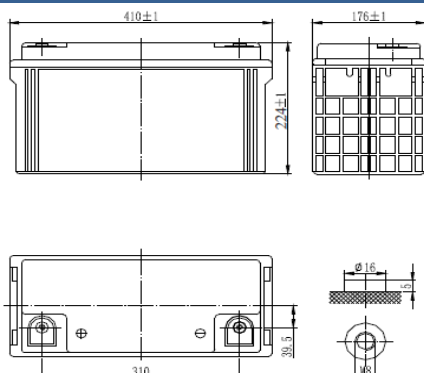
FV / TIME	5min	10min	15min	20min	30min	45min	1h	2h	3h	4h	5h	6h	8h	10h	20h
10.98V	--	1885,68	1711,08	1309,50	1035,96	779,88	686,76	395,76	282,27	229,31	201,95	168,78	132,70	111,16	58,78
10.80V	--	1944,00	1764,00	1350,00	1068,00	804,00	708,00	408,00	291,00	236,40	208,20	174,00	136,80	114,60	60,60
10.50V	--	2076,00	1830,00	1416,00	1104,00	822,00	732,00	411,60	296,40	239,40	210,60	176,40	139,80	117,60	61,80
10.20V	--	2190,00	1896,00	1446,00	1140,00	840,00	756,00	419,40	300,00	246,00	211,80	180,00	142,80	120,00	62,40
9.90V	--	2316,00	1962,00	1512,00	1176,00	858,00	762,00	427,20	303,60	247,80	213,00	181,80	143,40	120,60	63,00
9.60V	--	2436,00	1992,00	1560,00	1212,00	882,00	774,00	435,00	306,60	253,20	214,20	183,60	145,20	121,80	63,60

RPower OGiV121200LP (12V 120Ah AGM Battery)

Floating Life at 20°C designed for 10-12 years

EAN: 4260349823449

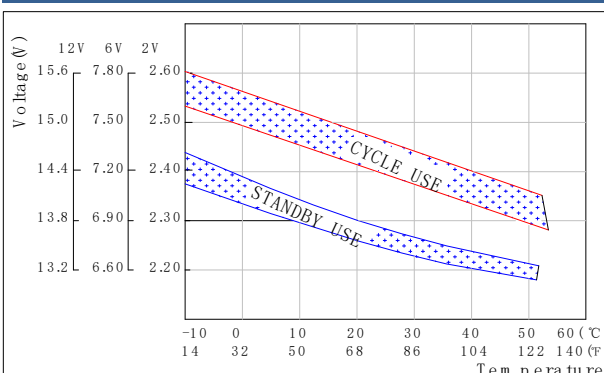
Dimensions



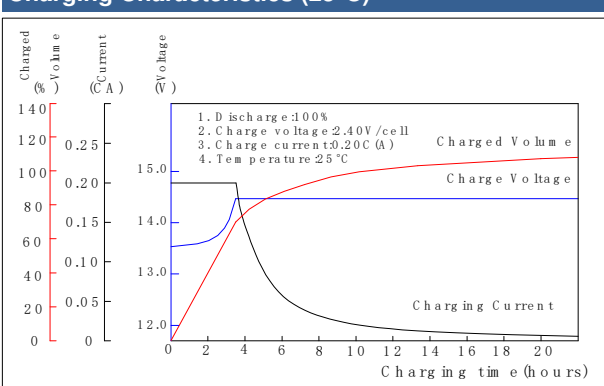
Specifications

Nominal Voltage		12V
Capacity (10hr@25°C@1.80V/C)		120Ah
Dimensions	Length	410mm (16.1inch)
	Width	176mm (6.93inch)
	Height	224mm (8.82inch)
	Total Height	224mm (8.82inch)
Approx. Weight		36.00kg (79.37lbs)
Maximum charging current		36.0A
Maximum discharge current		950A (5sec.)
Internal resistance		Approx. 5.3mΩ
Capacity affected by temperature (20hr)	40°C	103%
	25°C	100%
	0°C	86%
	-15°C	65%
Self-discharge (25°C)	3 month	Remaining Capacity: 91%
	6 month	Remaining Capacity: 82%
	12 month	Remaining Capacity: 65%
Nominal operating temperature		25°C ±3°C (77°F±5°F)
Operating temperature range		-20°C~55°C (-4°F~131°F)
Float charging voltage (25°C)		13.65 to 13.80V
Cyclic charging voltage (25°C)		14.40 to 15.00V
Terminal material		Copper

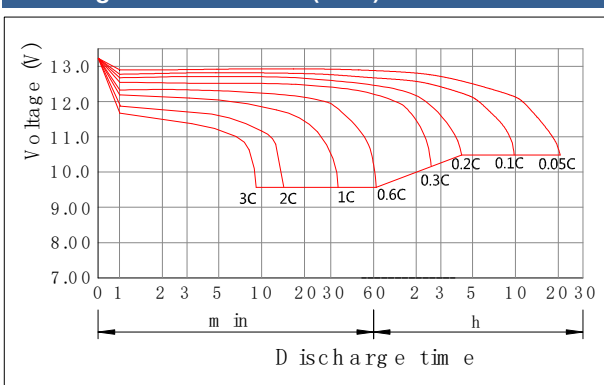
The Relationship for Charging Voltage and Temperature



Charging Characteristics (25°C)



Discharge Characteristics (25°C)



Constant Current Discharge Characteristics (Ampere / Battery, 25°C)

FV / TIME	5min	10min	15min	20min	30min	45min	1h	2h	3h	4h	5h	6h	8h	10h	20h
10.98V	--	214,37	186,24	132,89	110,58	76,53	70,52	36,28	28,42	21,92	19,69	16,30	13,19	11,64	6,17
10.80V	--	221,00	192,00	137,00	114,00	78,90	72,70	37,40	29,30	22,60	20,30	16,80	13,60	12,00	6,36
10.50V	--	236,00	201,00	144,00	116,00	81,00	75,10	39,80	30,10	24,00	20,70	17,30	14,00	12,20	6,44
10.20V	--	251,00	210,00	150,00	121,00	83,80	77,40	40,70	30,80	24,50	21,10	17,80	14,20	12,40	6,50
9.90V	--	266,00	219,00	156,00	125,00	86,10	79,00	41,40	31,40	24,90	21,50	18,10	14,50	12,50	6,54
9.60V	--	281,00	228,00	158,00	129,00	87,70	79,60	41,90	32,10	25,10	21,80	18,20	14,60	12,60	6,58

Constant Power Discharge Characteristics (Watt / Battery, 25°C)

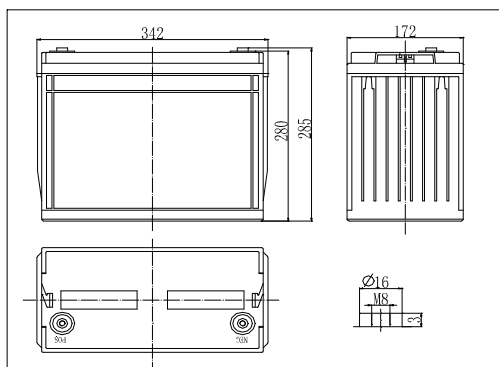
FV / TIME	5min	10min	15min	20min	30min	45min	1h	2h	3h	4h	5h	6h	8h	10h	20h
10.98V	--	2339,64	2037,00	1478,28	1251,30	919,56	843,90	476,66	340,47	250,26	242,11	186,82	151,32	129,79	68,68
10.80V	--	2412,00	2100,00	1524,00	1290,00	948,00	870,00	491,40	351,00	258,00	249,60	192,60	156,00	133,80	70,80
10.50V	--	2580,00	2178,00	1620,00	1332,00	966,00	900,00	496,20	357,00	262,20	252,00	195,00	159,00	136,80	71,40
10.20V	--	2724,00	2256,00	1680,00	1380,00	990,00	924,00	505,20	361,20	267,60	253,20	199,20	160,80	138,00	72,00
9.90V	--	2874,00	2334,00	1734,00	1416,00	1008,00	936,00	514,80	365,40	273,00	255,60	202,20	162,60	139,20	73,80
9.60V	--	3024,00	2412,00	1794,00	1464,00	1032,00	954,00	524,40	369,60	281,40	256,80	204,60	164,40	139,80	76,20

RPower OGiV121340LP (12V 134Ah AGM Battery)

Floating Life at 20°C designed for 10-12 years

EAN: 4260349823456

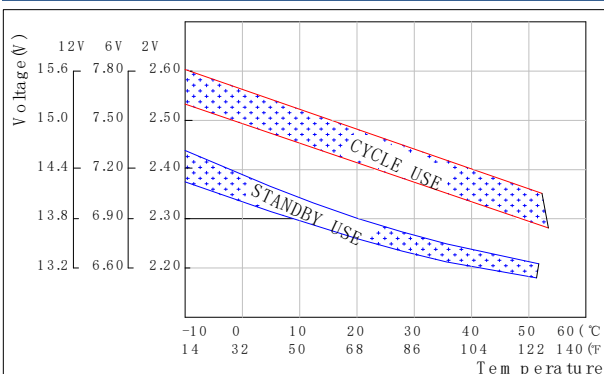
Dimensions



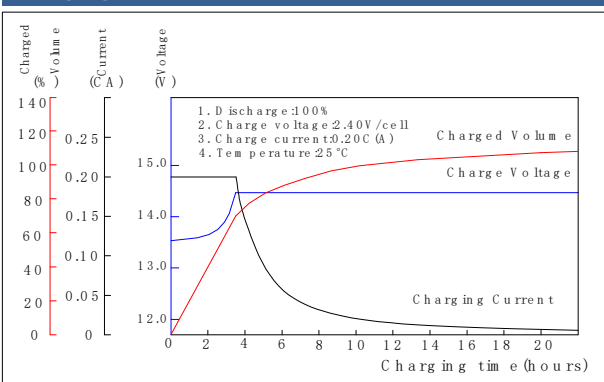
Specifications

Nominal Voltage		12V
Capacity (10hr@25°C@1.80V/C)		134Ah
Dimensions	Length	341mm (13.4inch)
	Width	173mm (6.81inch)
	Height	283mm (11.1inch)
	Total Height	287mm (11.3inch)
Approx. Weight		40.00kg (88.18lbs)
Maximum charging current		40.2A
Maximum discharge current		950A (5sec.)
Internal resistance		Approx. 3.8mΩ
Capacity affected by temperature (20hr)	40°C	103%
	25°C	100%
	0°C	86%
	-15°C	65%
Self-discharge (25°C)	3 month	Remaining Capacity: 91%
	6 month	Remaining Capacity: 82%
	12 month	Remaining Capacity: 65%
Nominal operating temperature		25°C ±3°C (77°F±5°F)
Operating temperature range		-20°C~55°C (-4°F~131°F)
Float charging voltage (25°C)		13.65 to 13.80V
Cyclic charging voltage (25°C)		14.40 to 15.00V
Terminal material		Copper

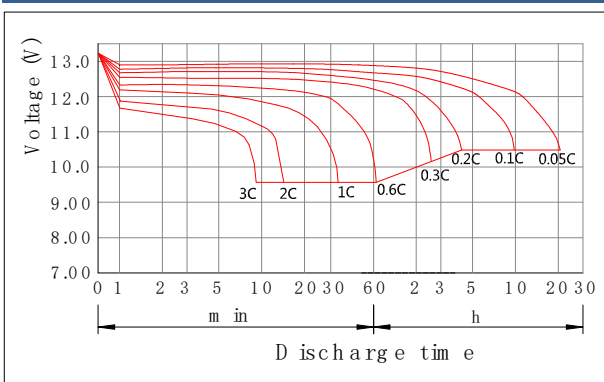
The Relationship for Charging Voltage and Temperature



Charging Characteristics (25°C)



Discharge Characteristics (25°C)



Constant Current Discharge Characteristics (Ampere / Battery, 25°C)

FV / TIME	5min	10min	15min	20min	30min	45min	1h	2h	3h	4h	5h	6h	8h	10h	20h
10.98V	--	227,95	191,09	161,02	129,98	93,80	75,66	44,52	34,14	26,77	22,31	19,21	15,33	13,00	6,83
10.80V	--	235,00	197,00	166,00	134,00	96,70	78,00	45,90	35,20	27,60	23,00	19,80	15,80	13,40	7,04
10.50V	--	257,00	214,00	177,00	139,00	99,80	80,20	47,10	36,10	28,30	23,60	20,20	16,00	13,50	7,09
10.20V	--	280,00	231,00	187,00	142,00	102,00	82,10	48,10	36,80	29,00	24,30	20,70	16,20	13,50	7,10
9.90V	--	292,00	237,00	191,00	145,00	105,00	84,30	49,10	37,40	29,70	25,00	21,20	16,40	13,60	7,14
9.60V	--	314,00	248,00	197,00	147,00	107,00	86,50	50,30	38,20	30,30	25,60	21,60	16,60	13,60	7,16

Constant Power Discharge Characteristics (Watt / Battery, 25°C)

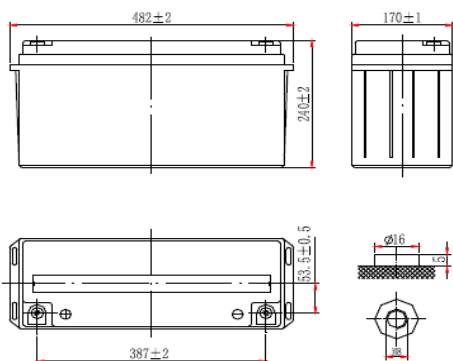
FV / TIME	5min	10min	15min	20min	30min	45min	1h	2h	3h	4h	5h	6h	8h	10h	20h
10.98V	--	2607,36	2275,62	1856,58	1437,54	1099,98	873,00	516,23	396,92	309,04	256,08	218,25	171,11	142,59	77,03
10.80V	--	2688,00	2346,00	1914,00	1482,00	1134,00	900,00	532,20	409,20	318,60	264,00	225,00	176,40	147,00	79,41
10.50V	--	2898,00	2484,00	2004,00	1524,00	1152,00	912,00	537,00	411,60	322,20	268,80	229,80	180,60	151,20	80,40
10.20V	--	3072,00	2562,00	2058,00	1548,00	1170,00	924,00	543,60	417,00	328,80	275,40	235,20	184,80	154,20	81,00
9.90V	--	3174,00	2598,00	2082,00	1566,00	1200,00	948,00	553,20	421,80	334,20	282,00	240,60	189,00	157,80	82,20
9.60V	--	3396,00	2844,00	2286,00	1722,00	1236,00	978,00	567,60	430,80	339,60	284,40	243,60	192,00	161,40	84,00

RPower OGiV121500LP (12V 150Ah AGM Battery)

Floating Life at 20°C designed for 10-12 years

EAN: 4260349823463

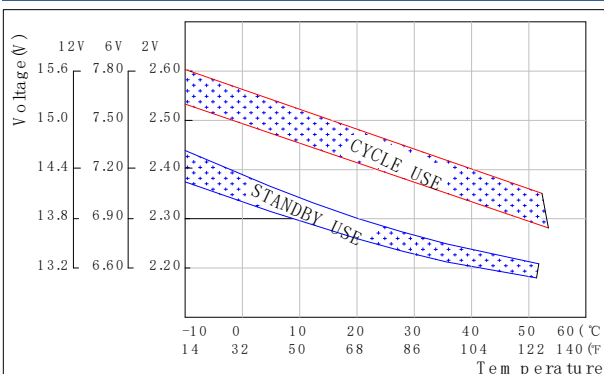
Dimensions



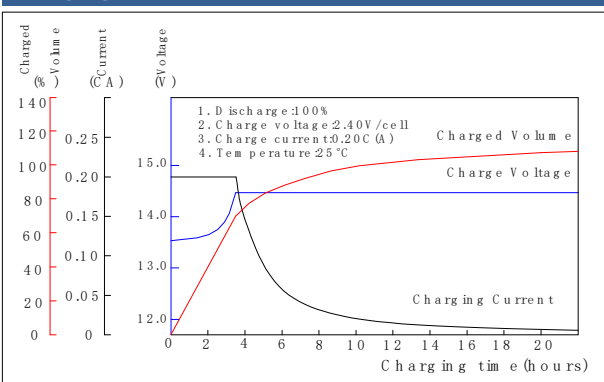
Specifications

Nominal Voltage		12V
Capacity (10hr@25°C@1.80V/C)		150Ah
Dimensions	Length	482mm (19.0inch)
	Width	170mm (6.69inch)
	Height	240mm (9.45inch)
	Total Height	240mm (9.45inch)
Approx. Weight		44.80kg (98.77lbs)
Maximum charging current		45.0A
Maximum discharge current		970A (5sec.)
Internal resistance		Approx. 3.1mΩ
Capacity affected by temperature (20hr)	40°C	103%
	25°C	100%
	0°C	86%
	-15°C	65%
Self-discharge (25°C)	3 month	Remaining Capacity: 91%
	6 month	Remaining Capacity: 82%
	12 month	Remaining Capacity: 65%
Nominal operating temperature		25°C ±3°C (77°F±5°F)
Operating temperature range		-20°C~55°C (-4°F~131°F)
Float charging voltage (25°C)		13.65 to 13.80V
Cyclic charging voltage (25°C)		14.40 to 15.00V
Terminal material		Copper

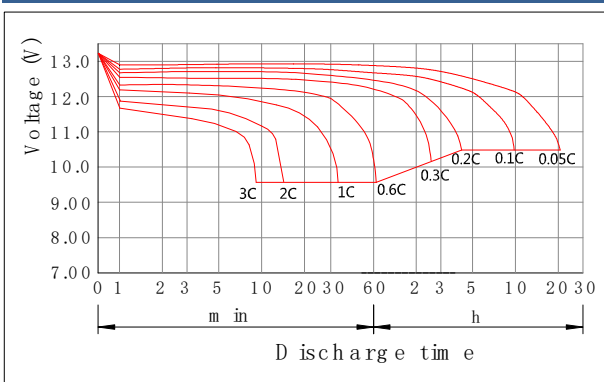
The Relationship for Charging Voltage and Temperature



Charging Characteristics (25°C)



Discharge Characteristics (25°C)



Constant Current Discharge Characteristics (Ampere / Battery, 25°C)

FV / TIME	5min	10min	15min	20min	30min	45min	1h	2h	3h	4h	5h	6h	8h	10h	20h
10.98V	--	265,78	223,10	176,54	148,41	104,76	84,58	51,02	35,60	31,04	22,99	21,05	17,07	14,55	7,64
10.80V	--	274,00	230,00	182,00	153,00	108,00	87,20	52,60	36,70	32,00	23,70	21,70	17,60	15,00	7,88
10.50V	--	285,00	239,00	195,00	158,00	113,00	89,20	53,80	37,40	32,40	24,50	22,00	17,90	15,10	7,93
10.20V	--	303,00	254,00	207,00	167,00	116,00	94,10	55,90	39,30	32,80	25,30	22,50	18,10	15,20	7,98
9.90V	--	322,00	268,00	210,00	177,00	119,00	98,70	56,90	41,10	33,20	26,40	22,90	18,30	15,30	8,03
9.60V	--	340,00	283,00	224,00	186,00	121,00	103,00	57,90	42,90	33,70	27,60	23,40	18,60	15,40	8,07

Constant Power Discharge Characteristics (Watt / Battery, 25°C)

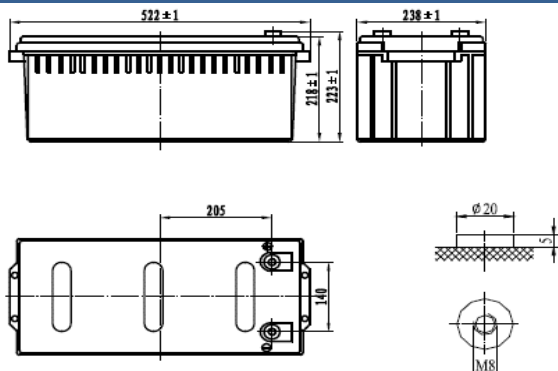
FV / TIME	5min	10min	15min	20min	30min	45min	1h	2h	3h	4h	5h	6h	8h	10h	20h
10.98V	--	2997,30	2531,70	2048,64	1664,52	1233,84	989,40	568,03	414,97	350,95	284,02	240,37	190,31	158,89	83,23
10.80V	--	3090,00	2610,00	2112,00	1716,00	1272,00	1020,00	585,60	427,80	361,80	292,80	247,80	196,20	163,80	85,80
10.50V	--	3222,00	2712,00	2160,00	1782,00	1320,00	1044,00	606,00	439,80	368,40	300,00	253,20	200,40	167,40	87,60
10.20V	--	3360,00	2820,00	2220,00	1848,00	1362,00	1068,00	624,00	451,20	375,00	306,00	258,60	204,00	171,00	88,80
9.90V	--	3498,00	2922,00	2310,00	1908,00	1404,00	1092,00	642,00	463,20	379,80	314,40	263,40	207,60	173,40	91,20
9.60V	--	3630,00	3030,00	2460,00	1974,00	1446,00	1116,00	654,00	475,20	385,80	322,20	270,60	214,80	176,40	91,80

RPower OGiV122000LP (12V 200Ah AGM Battery)

Floating Life at 20°C designed for 10-12 years

EAN: 4260349823470

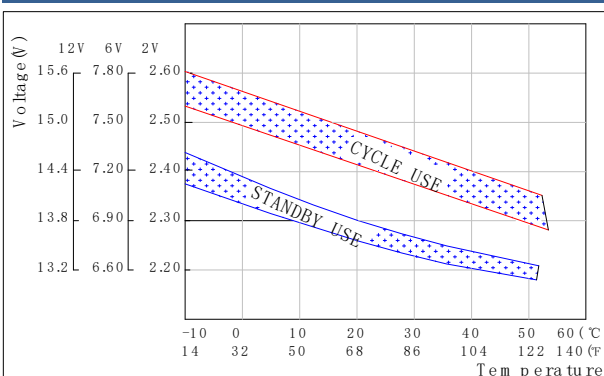
Dimensions



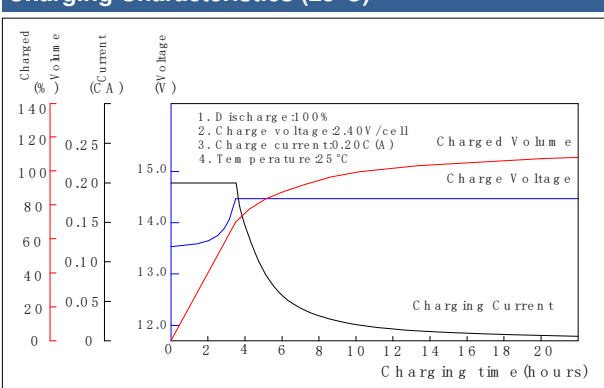
Specifications

Nominal Voltage		12V
Capacity (10hr@25°C@1.75V/C)		202Ah
Dimensions	Length	522mm (20.6inch)
	Width	238mm (9.37inch)
	Height	218mm (8.58inch)
	Total Height	223mm (8.78inch)
Approx. Weight		67.50kg (148.8lbs)
Maximum charging current		60.0A
Maximum discharge current		1.300A (5sec.)
Internal resistance		Approx. 2.2mΩ
Capacity affected by temperature (20hr)	40°C	103%
	25°C	100%
	0°C	86%
	-15°C	65%
Self-discharge (25°C)	3 month	Remaining Capacity: 91%
	6 month	Remaining Capacity: 82%
	12 month	Remaining Capacity: 65%
Nominal operating temperature		25°C ±3°C (77°F±5°F)
Operating temperature range		-20°C~55°C (-4°F~131°F)
Float charging voltage (25°C)		13.65 to 13.80V
Cyclic charging voltage (25°C)		14.40 to 15.00V
Terminal material		Copper

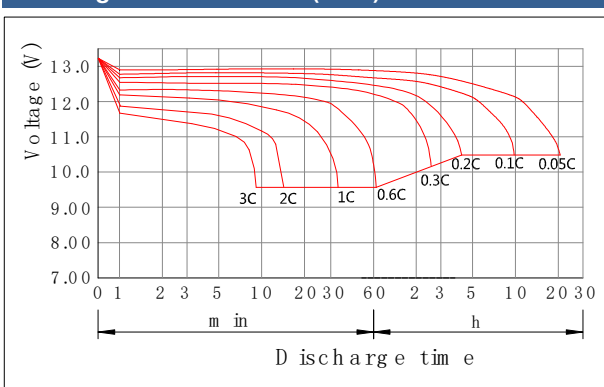
The Relationship for Charging Voltage and Temperature



Charging Characteristics (25°C)



Discharge Characteristics (25°C)



Constant Current Discharge Characteristics (Ampere / Battery, 25°C)

FV / TIME	5min	10min	15min	20min	30min	45min	1h	2h	3h	4h	5h	6h	8h	10h	20h
10.98V	480,15	408,37	340,47	283,24	226,01	166,84	131,92	73,72	54,32	42,39	35,21	29,88	23,28	19,30	10,13
10.80V	495,00	421,00	351,00	292,00	233,00	172,00	136,00	76,00	56,00	43,70	36,30	30,80	24,00	19,90	10,44
10.50V	517,00	437,00	364,00	301,00	239,00	176,00	139,00	77,60	57,10	44,50	37,00	31,40	24,40	20,20	10,60
10.20V	555,00	466,00	386,00	320,00	254,00	187,00	146,00	81,50	59,90	46,70	38,70	32,80	25,50	21,10	11,07
9.90V	592,00	494,00	408,00	338,00	268,00	197,00	154,00	85,50	62,70	48,80	40,40	34,30	26,60	22,00	11,55
9.60V	630,00	523,00	431,00	357,00	283,00	207,00	161,00	89,40	65,50	50,90	42,10	35,70	27,60	22,80	11,97

Constant Power Discharge Characteristics (Watt / Battery, 25°C)

FV / TIME	5min	10min	15min	20min	30min	45min	1h	2h	3h	4h	5h	6h	8h	10h	20h
10.98V	5313,66	4405,74	3666,60	3055,50	2444,40	1792,56	1449,18	849,72	646,02	512,74	432,43	369,57	291,00	243,86	127,40
10.80V	5478,00	4542,00	3780,00	3150,00	2520,00	1848,00	1494,00	876,00	666,00	528,60	445,80	381,00	300,00	251,40	131,34
10.50V	5760,00	4740,00	3936,00	3276,00	2616,00	1914,00	1542,00	900,00	684,00	541,80	456,60	390,00	306,60	256,80	134,22
10.20V	6042,00	4944,00	4086,00	3402,00	2712,00	1974,00	1590,00	924,00	702,00	555,60	468,00	399,60	313,80	262,20	137,04
9.90V	6318,00	5142,00	4242,00	3522,00	2802,00	2040,00	1632,00	948,00	720,00	569,40	478,80	408,60	320,40	267,60	139,86
9.60V	6600,00	5340,00	4398,00	3648,00	2898,00	2100,00	1680,00	972,00	738,00	583,20	490,20	417,60	327,00	273,00	142,68